



DRAWINGS AND SPARE PARTS



TABLE OF CONTENTS

TABLE OF CONTENTS	2
SCREWDRIVER MODELS AND FORM FACTORS	4
Inline screwdrivers	4
Pistol screwdrivers.....	4
KDS PL 20 – 35 - 50	5
Angle head screwdrivers KDS PL 6-10 ANG.....	6
Angle head screwdrivers KDS PL 15 ANG	7
Angle head screwdrivers KDS PL 30-45-70 ANG	8
EXPLODED VIEW KDS-PLxx:.....	9
SPARE PARTS KDS-PLxx:	12
EXPLODED VIEW KDS-PLxxP:	13
SPARE PARTS KDS-PLxxP:.....	14
EXPLODED VIEW KDS-PLxxCA:.....	15
SPARE PARTS KDS-PLxxCA:	16
EXPLODED VIEW KDS-PLxxCA/FN:.....	17
SPARE PARTS KDS-PLxxCA/FN:	18
EXPLODED VIEW KDS-MT1.5:	19
SPARE PARTS KDS-MT1.5:.....	20
EXPLODED VIEW KDS-MT1.5P:	21
SPARE PARTS KDS-MT1.5P:	22
EXPLODED VIEW KDS-MT1.5CA:	23
SPARE PARTS KDS-MT1.5CA:.....	23
EXPLODED VIEW KDS-MT1.5CA/FN:.....	24
SPARE PARTS KDS-MT1.5CA/FN:	25
EXPLODED VIEW KDS-PL20:.....	26
SPARE PARTS KDS-PL20:	27
EXPLODED VIEW KDS-PL20CA:.....	28
SPARE PARTS KDS-PL20CA:	29
EXPLODED VIEW KDS-PL20CA/FN:.....	30
SPARE PARTS KDS-PL20CA/FN:	31
EXPLODED VIEW KDS-PL35:.....	34
SPARE PARTS KDS-PL35:	32

EXPLODED VIEW KDS-PL35CA:.....	36
SPARE PARTS KDS-PL35CA:	37
EXPLODED VIEW KDS-PL35CA/FN:.....	38
SPARE PARTS KDS-PL35CA/FN:	39
EXPLODED VIEW KDS-PL50:.....	40
SPARE PARTS KDS-PL50:	43
EXPLODED VIEW KDS-PL50CA:.....	44
SPARE PARTS KDS-PL50CA:	45
EXPLODED VIEW KDS-PL50CA/FN:.....	46
SPARE PARTS KDS-PL50CA/FN:	47
EXPLODED VIEW KDS-PL30ANG:	40
SPARE PARTS KDS-PL30ANG:.....	41
EXPLODED VIEW KDS-PL45ANG:	48
SPARE PARTS KDS-PL45ANG:.....	49
EXPLODED VIEW KDS-PL70ANG:	50
SPARE PARTS KDS-PL70ANG:.....	51
GUARANTEE.....	52

SCREWDRIVER MODELS AND FORM FACTORS

Inline screwdrivers



Models up to 15 Nm



Models 20 Nm and up

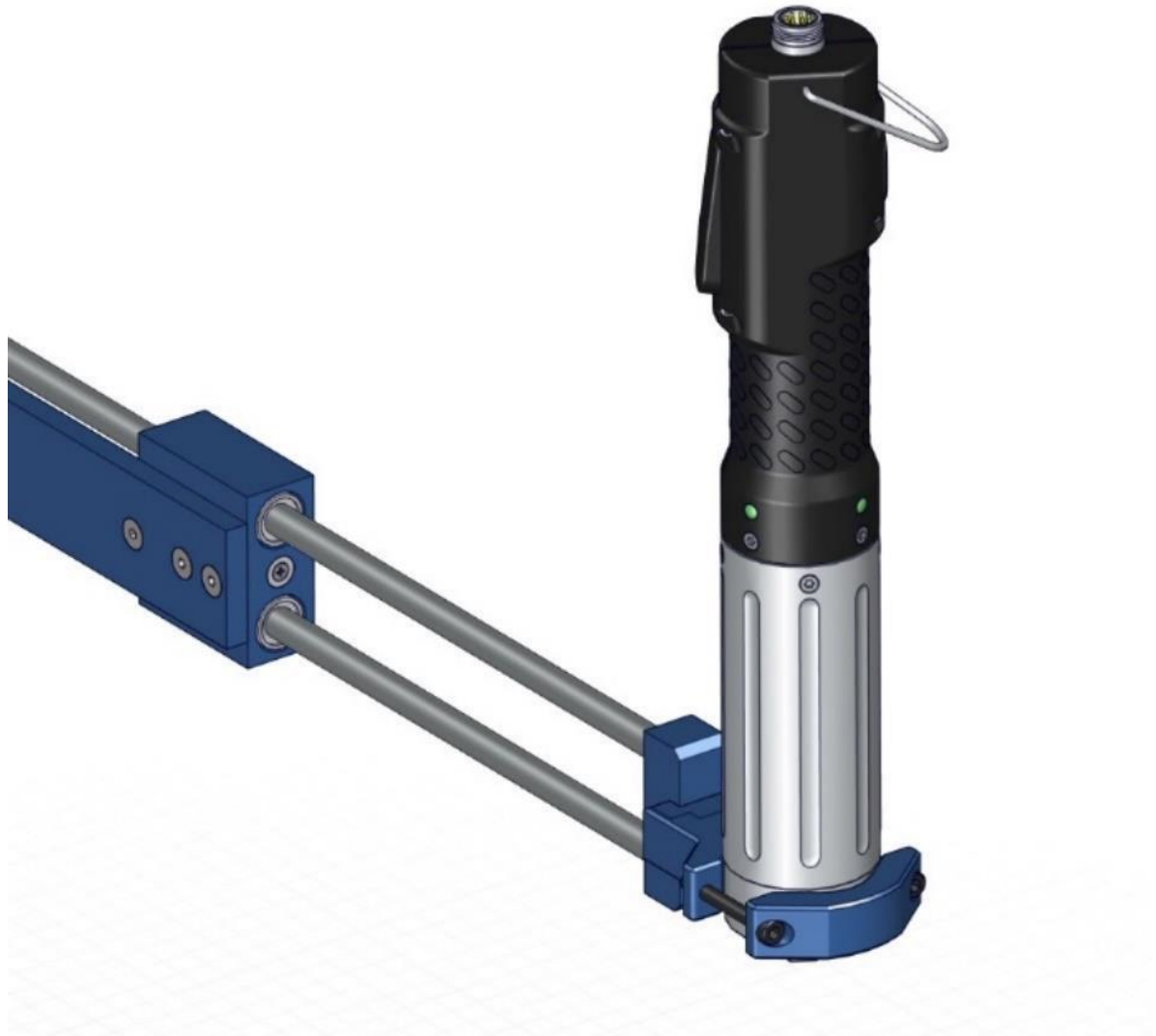
Pistol screwdrivers

Pistol screwdrivers up to 15 Nm can be purchased with either bottom or top (/U) mounted cable connector:



KDS PL 20 – 35 - 50

Hand version



2022 discontinued S/R style: START / REVERSE buttons are at the top of the screwdriver:



/CA version



Angle head screwdrivers KDS PL 6-10 ANG

Hand version



/CA version



Angle head screwdrivers KDS PL 15 ANG

Note: KDS-PL15 also available with 1/4" right-angle head (12 Nm max)

Hand version



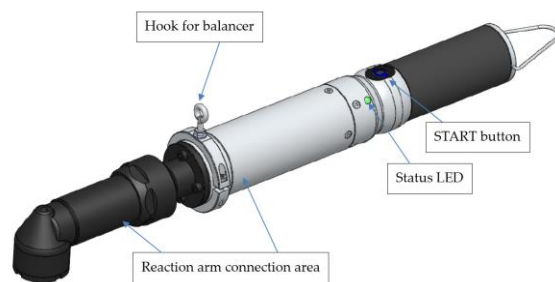
/CA version



Angle head screwdrivers KDS PL 30-45-70 ANG

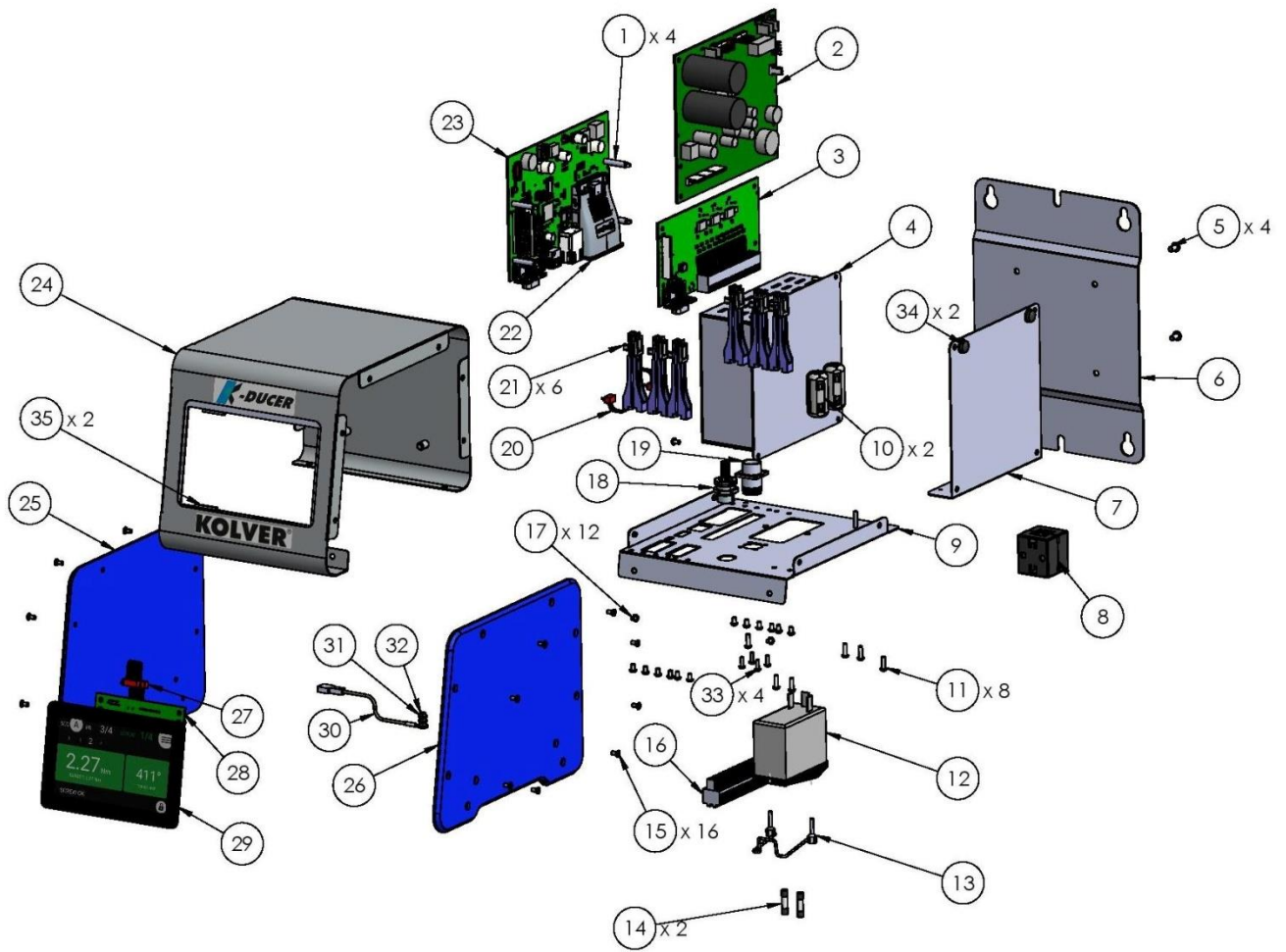


Hook for tool balancer is optional, part number 010176



2022 discontinued S/R button style:

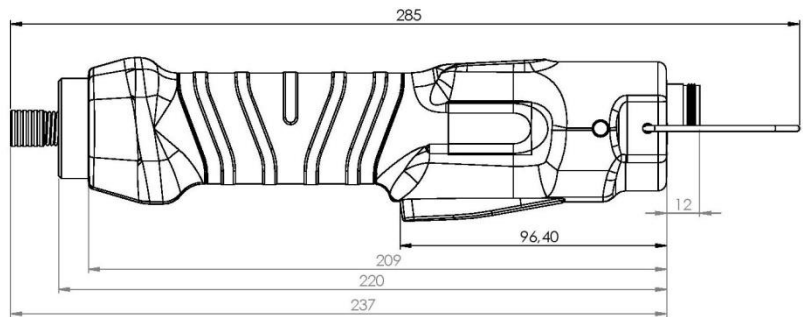
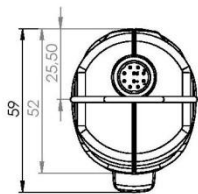
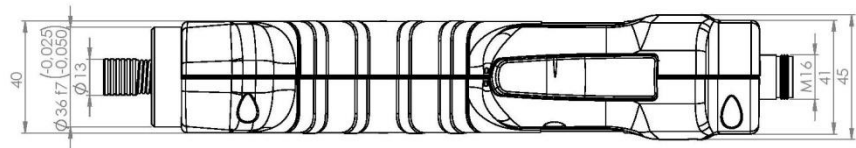
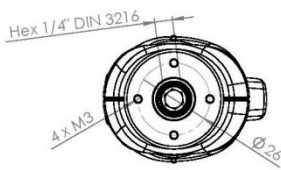
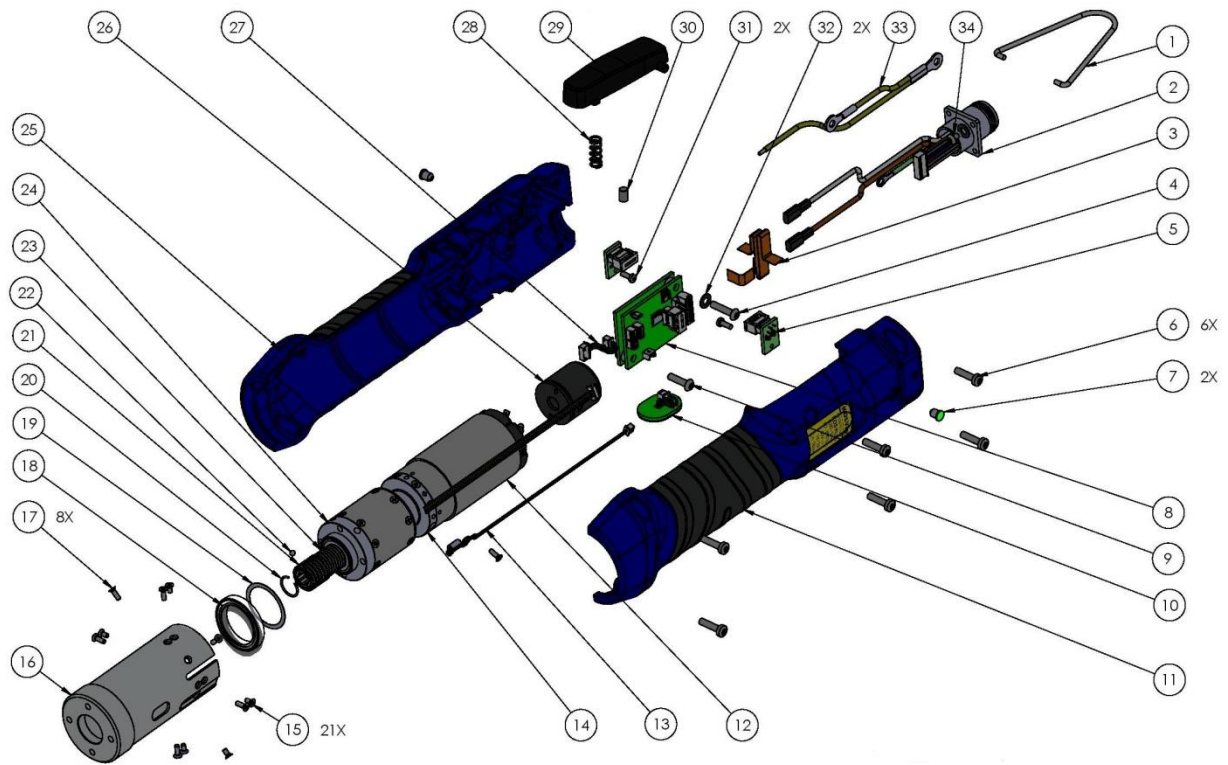
EXPLODED VIEW KDU-1A:



SPARE PARTS KDU-1A:

Position	Description	Quantity	Part Number
1	SPACER 22MM KDU	4	872522
2	MOTOR BOARD K-DUCER	1	852530
3	I/O BOARD (44 PIN CONNECTOR) - KDU	1	852533/B
4	SWITCHING	1	872490
5	SCREW M4X8 ZN TX20	4	872534
6	SIDE PLATE	1	872504
7	SUPPORT SWITCHING PLATE KDU	1	872505
8	FERRITE RKCF-08-A5	1	872468
9	BOARDS SEAT	1	872503/A
10	FERRITE SCREWDRIVER CONNECTOR	2	872523
11	SCREW M3X10 ZN TX10	6	231530
12	FILTER AR13.6 A	1	800718
13	ANTI-UNTHREAD PLUGS	1	800719
14	FUSE 3,15A F-520LT3.15	2	800619
15	SCREW TSP M3X8 TX10 ZN	16	801009
16	CONNECTOR I/O 44PIN	1	872526
17	SCREW M3 X 5 ZN TX10	18	872444
18	CONNECTOR M12 8 POLI FEMALE	1	872537
19	CONNECTOR M16 10 PIN FEMALE	1	201668/HU
20	FLAT CABLE 4 PIN	1	872539
21	SUPPORT MOTOR BOARD	6	872442
22	COVER	1	872521
23	I/O (MICRO) BOARD	1	852533/A
24	FRONT PANEL	1	872502
25	LEFT SIDE KDU	1	872500
26	RIGHT SIDE KDU	1	872501
27	FLAT CABLE 8 PIN + FERRITE	1	872540
28	FTDI DISPLAY TOUCH BOARD	1	852529
29	DISPLAY TOUCH 5" DLC0500HZR-T-17	1	852532
30	GROUND CABLE	1	800090/E
31	WASHER M3	3	800041
32	M3 BRUSSE NUT	3	800056/O
33	SCREW M2,5X8 ZN TX10	4	872478
34	RUBBER SUPPORT	2	800016
35	GASKET	2	872524
	LABEL	1	818006/SW
	CABLE 3x0,75 H05VVF 2mt. SCHUKO	1	800620

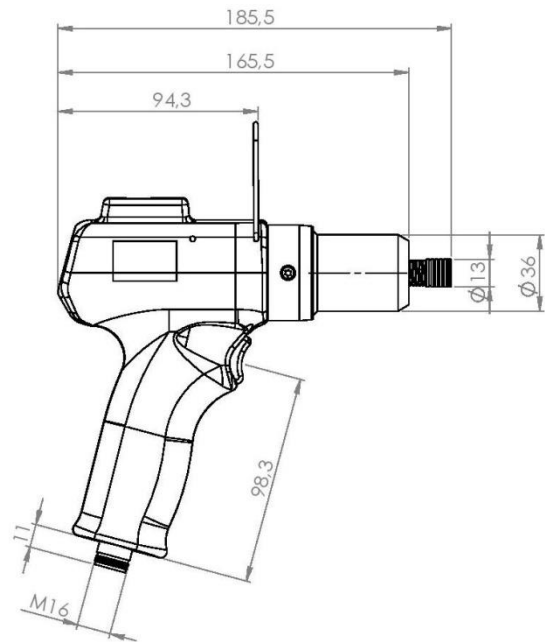
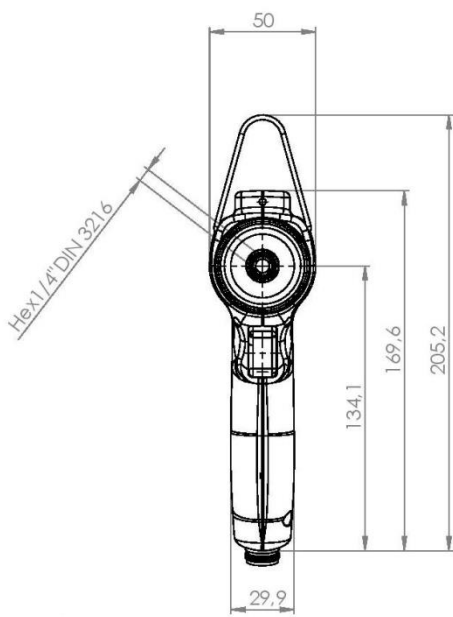
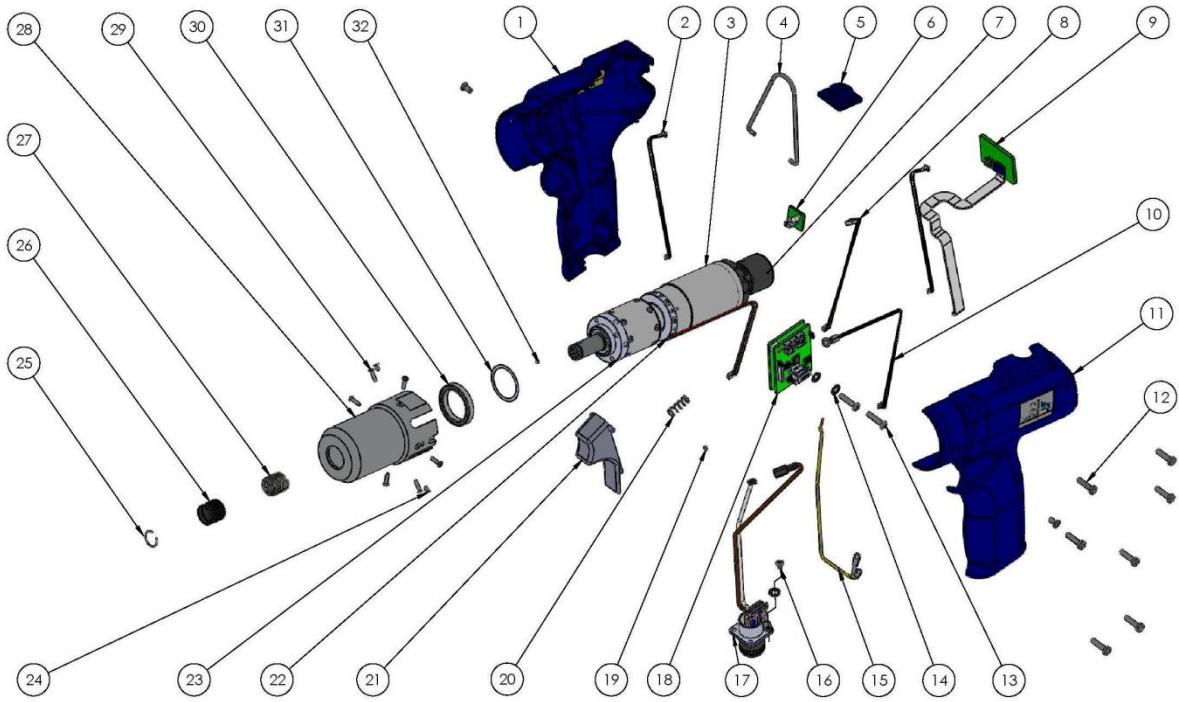
EXPLODED VIEW KDS-PLxx:



SPARE PARTS KDS-PLxx:

Pos.	Description	Qty	Code
1	HOOK	1	200060
2	MALE CONNECTOR M16 10 PIN	1	201667
3	PCB FLEX – LED BOARD	1	852537
4	SCREW ZN M3X12 TX10	1	231545
5	LED BOARD KDS/D	1	852535
6	SCREW ZN M3X12 TX10	6	231541
7	LED KDS-XX/D	2	231553
8	BOARD	1	852528
9	SCREW M3X12 ZN TX10	1	231547
10	REVERSE BUTTON	1	231535
11	HOUSING ESD KDS-XX/D	1	231551/ESD
12	MOTOR KDS-6x	1	231509/L
	MOTOR KDS-10x	1	231509/L
	MOTOR KDS-15x	1	231509/15L
13	SENSOR	1	231534
14	TRANSDUCER	1	231522/E
15	SCREW TSP M2X4 TX6 ZN	21	231531
16	MOTOR SEAT	1	234505/TD
17	SCREW TSP M2X6 TX6 ZN	8	231527
18	BEARING	1	231533
19	WASHER	1	231532
20	RING	1	200007
21	RING	1	230020/1
22	BALL 2.5MM	1	219817
23	SPRING	1	230021
24	REDUCTION GEARS KDS-6x	1	231510/6D
	REDUCTION GEARS KDS-10x	1	231510/10D
	REDUCTION GEARS KDS-15x	1	231510/15D
25	HOUSING ESD KDS-XX/D	1	231550/ESD
26	ENCODER	1	231528
27	ENCODER WIRING	1	231536
28	LEVER SPRING	1	221061
29	LEVER ESD	1	231552/ESD
30	MAGNET KDS-XX/D	1	231540
31	SCREW M2,2X6 TX6	2	231538
32	WASHER	1	800041
33	GROUND WIRING	1	231546
34	SCREW M2,5X4 TX8 ZN	1	872487
	LABEL ESD	1	800199/ESD

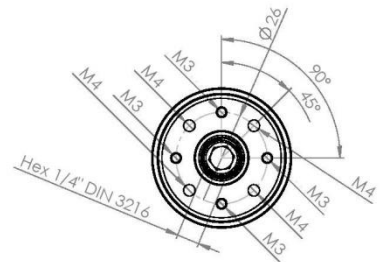
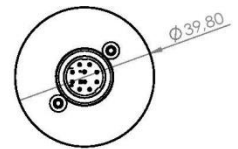
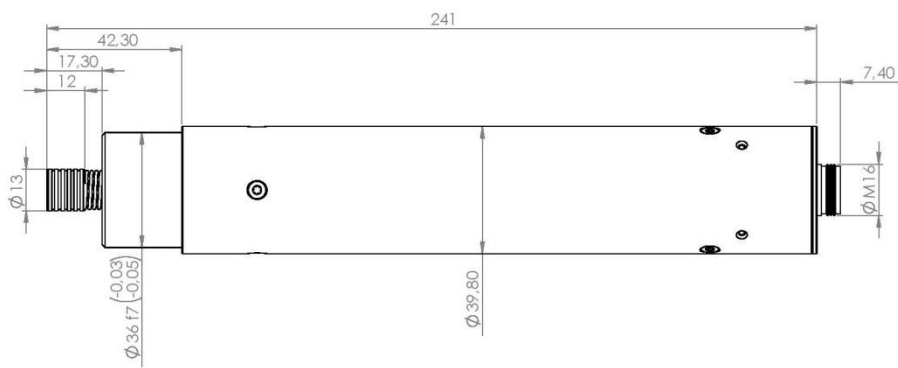
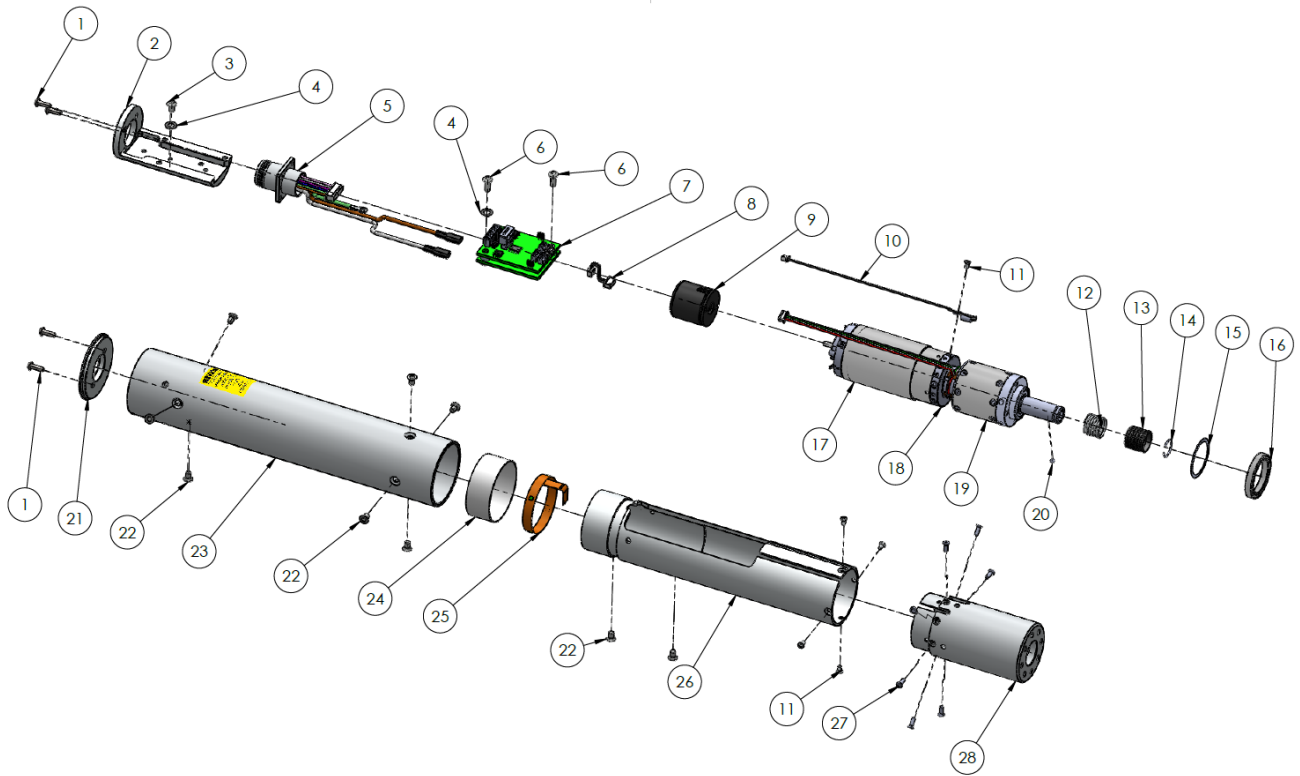
EXPLODED VIEW KDS-PLxxP:



SPARE PARTS KDS-PLxxP:

Pos.	Description	Qty	Code
1	HOUSING KDS-XX/P-ESD	1	231560/ESD
2	PICOBLADE	2	231557
3	MOTOR KDS-6x	1	231509/L
	MOTOR KDS-10x	1	231509/L
	MOTOR KDS-15x	1	231509/15L
4	HOOK	1	200060
5	CONNECTOR COVER KDS-XX/P-ESD	1	231562/ESD
6	WHITE LED BOARD KDSXX/P	1	852538
7	ENCODER	1	231528
8	ENCODER WIRING (KDS-PLxxP)	1	231536/L
9	REVERSE SWITCH + LED KDS-PLxxP	1	231535/P
10	SENSOR	1	231534
11	HOUSING KDS-XX/P-ESD	1	231561/ESD
12	SCREW ZN M3X10 TX10	7	231539
13	SCREW M3X12 TESTA ZN TX10	2	231547
14	WASHER M3	2	800041
15	GROUND WIRING KDS-P	1	231546/P
	GROUND WIRING KDS-PU	1	231546/PU
16	SCREW M2,5X6 TX8 ZN TX8	1	872487
17	MALE CONNECTOR M16 10 PIN KDS-PLxxP	1	201667/P
	MALE CONNECTOR M16 10 PIN KDS-PLxxPU	1	201667/PU
18	BOARD KDS-P	1	852528/P
19	MAGNET	1	231540/P
20	SPRING LEVER	1	221061
21	LEVER KDS-XX/P-ESD	1	231563/ESD
22	TRANSDUCER	1	231522/E
23	REDUCTION GEARS KDS-6x	1	231510/6D
	REDUCTION GEARS KDS-10x	1	231510/10D
	REDUCTION GEARS KDS-15x	1	231510/15D
24	SCREW TSP M2X4 TX6 ZN	18	231531
25	RING	1	200007
26	RING	1	230020/1
27	SPRING	1	230021
28	MOTOR SEAT KDS-PLxxP	1	234505/TP
29	SCREW TSP M2X8 TX6 ZN	8	231554
30	BEARING	1	231533
31	WASHER	1	231532
32	BALL 2.5MM	1	219817
33	SCREW TSP M3X5 TX10 ZN	2	801003
	LABEL ESD	1	800199/ESD

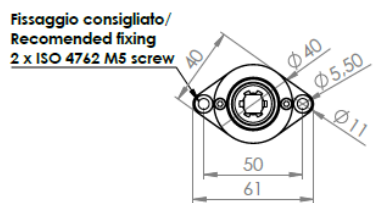
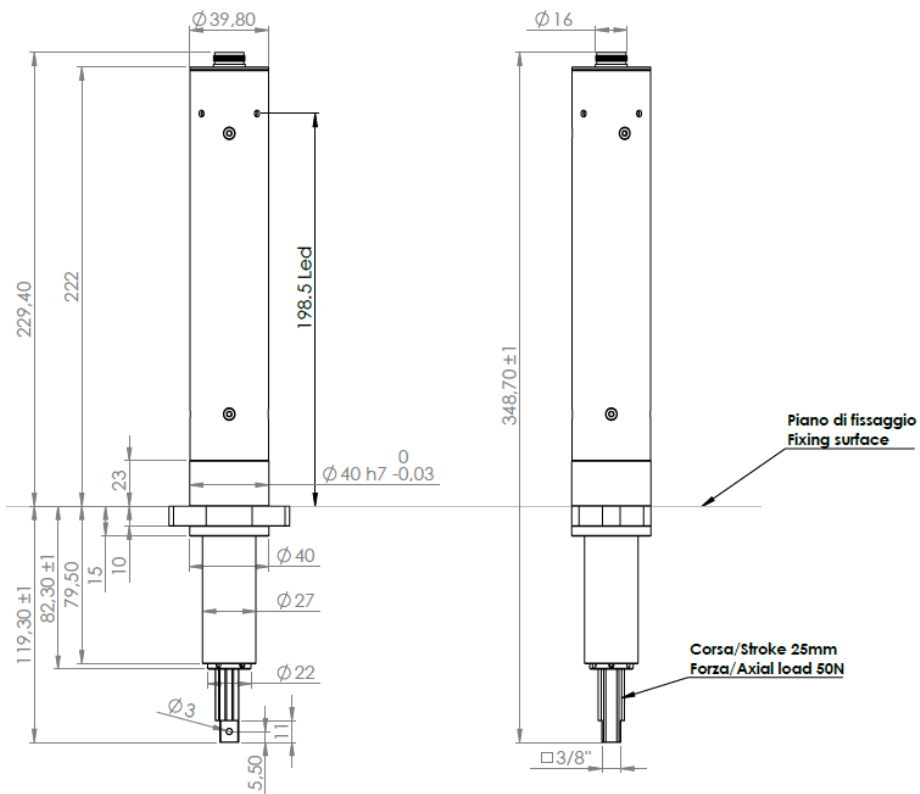
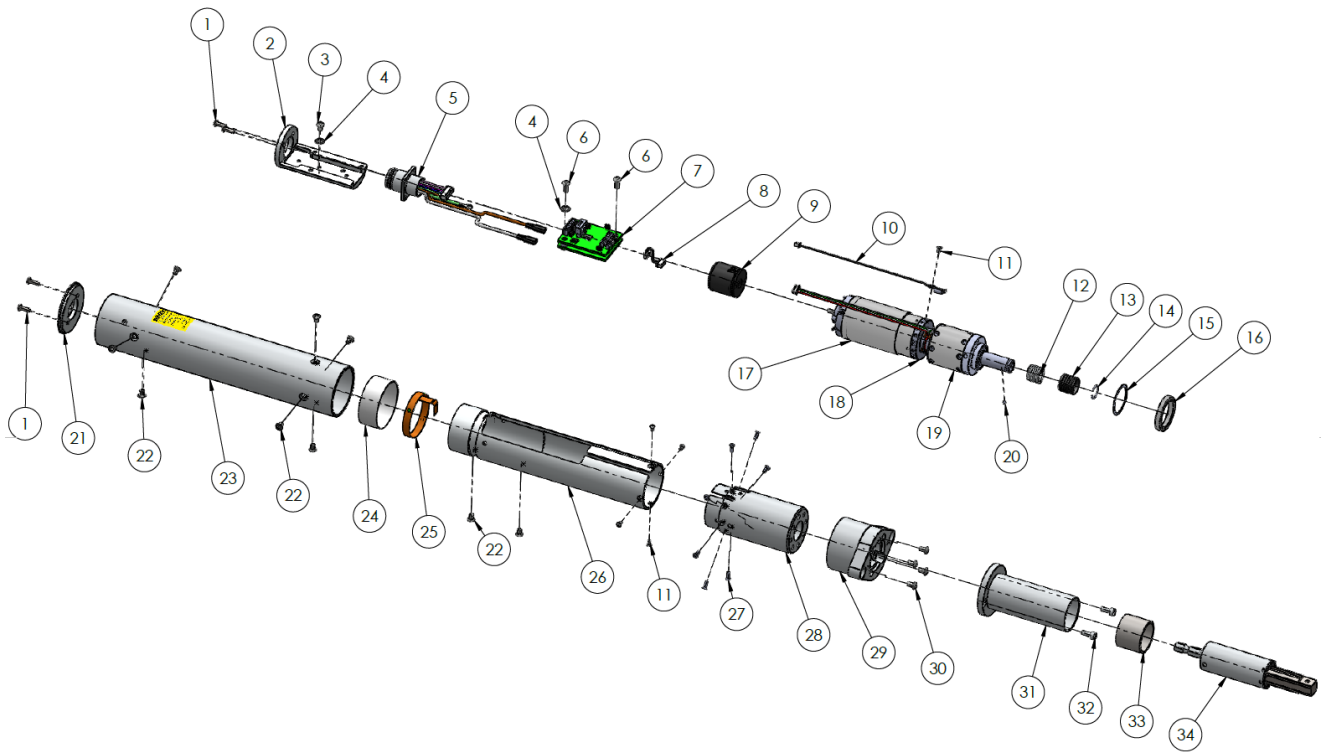
EXPLODED VIEW KDS-PLxxCA:



SPARE PARTS KDS-PLxxCA:

Pos.	Description	Qty	Code
1	SCREW M2,5X8 TX8 ZN	4	872478
2	BOARD SUPPORT	1	231523
3	SCREW M3X5	1	872444
4	WASHER	2	800041
5	MALE CONNECTOR M16 10 PIN	1	201667
6	SCREW M3X12 ZN TX10	2	231547
7	BOARD	1	852528
8	ENCODER WIRING	1	231536
9	ENCODER	1	231528
10	TEMPERATURE SENSOR	1	231534
11	M2X4MM TX6	5	231531
12	SPRING	1	230021
13	RING	1	230020/1
14	RING	1	200007
15	WASHER	1	231532
16	BEARING	1	231533
17	MOTOR KDS-6x	1	231509/L
	MOTOR KDS-10x		231509/L
	MOTOR KDS-15x		231509/15L
18	TRANSDUCER	1	231522/E
19	REDUCTION GEAR KDS-PL6X	1	231510/6D
	REDUCTION GEAR KDS-PL10X		231510/10D
	REDUCTION GEAR KDS-PL15X		231510/15D
20	BALL 2,5 MM	1	219817
21	COVER KDS-XXCA	1	231526
22	SCREW M3X5 TX10	9	801003
23	ALUMINIUM BODY KDS-XXCA	1	231525
24	LED RING KDS-XXCA	1	231537
25	PCB FLEX LED	1	852531
26	ALUMINIUM BODY (BOARD SUPPORT)	1	231524
27	SCREW M2X6MM TX6	8	231527
28	MOTOR SEAT	1	234505

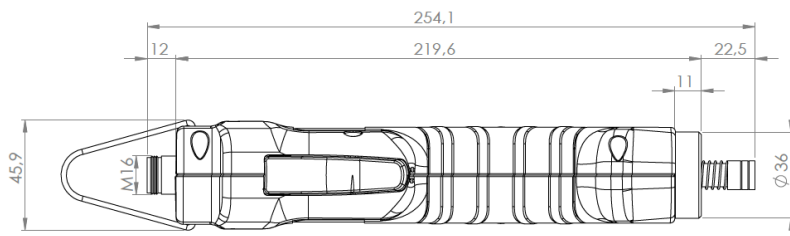
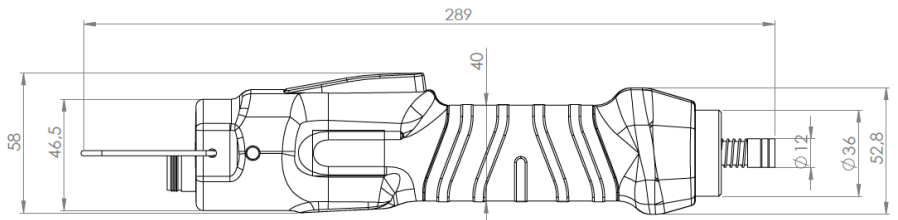
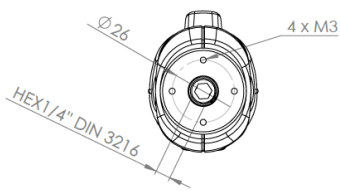
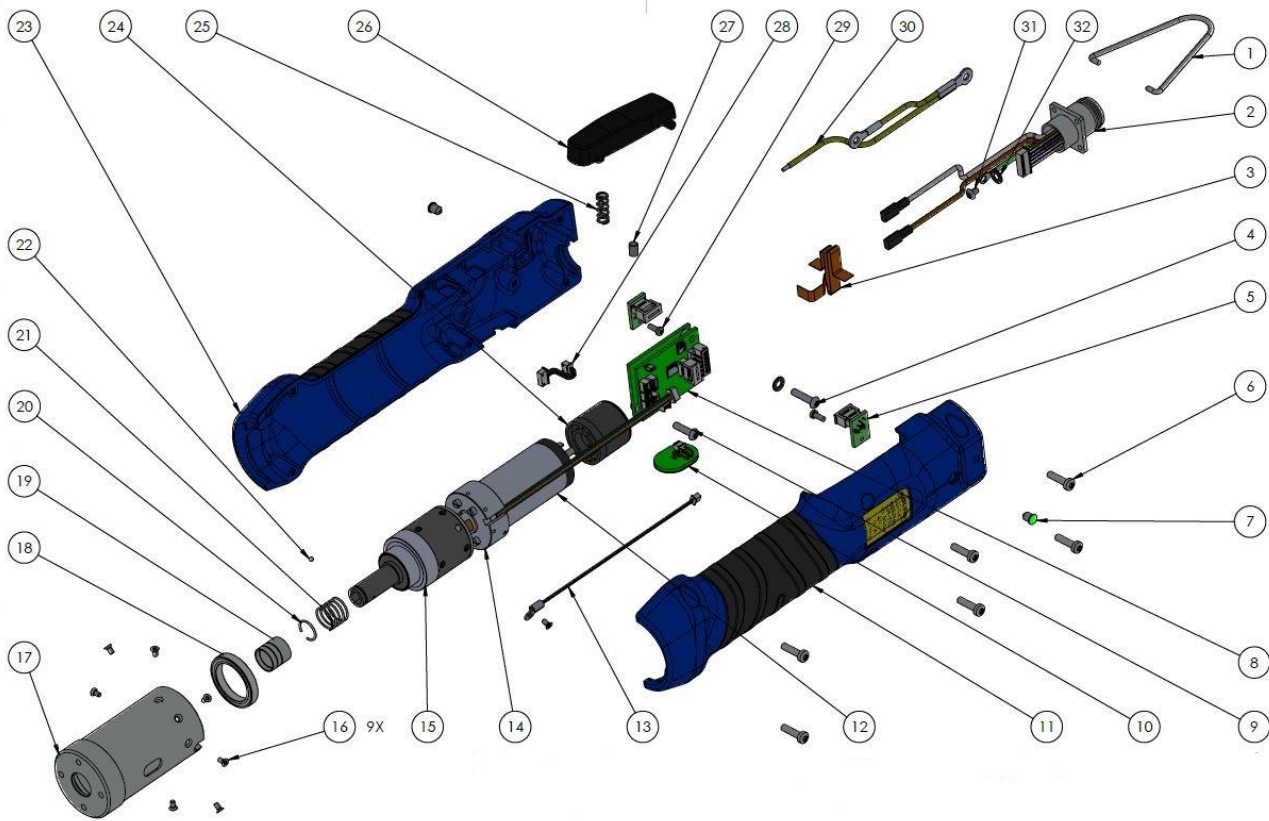
EXPLODED VIEW KDS-PLxxCA/FN:



SPARE PARTS KDS-PLxxCA/FN:

Pos.	Description	Qty	Code
1	SCREW M2,5X8 TX8 ZN	4	872478
2	BOARD SUPPORT	1	231523
3	SCREW M3X5	1	872444
4	WASHER	2	800041
5	MALE CONNECTOR M16 10 PIN	1	201667
6	SCREW M3X12 ZN TX10	2	231547
7	BOARD	1	852528
8	ENCODER WIRING	1	231536
9	ENCODER	1	231528
10	TEMPERATURE SENSOR	1	231534
11	M2X4MM TX6	5	231531
12	SPRING	1	230021
13	RING	1	230020/1
14	RING	1	200007
15	WASHER	1	231532
16	BEARING	1	231533
17	MOTOR KDS-6x	1	231509/L
	MOTOR KDS-10x		231509/L
	MOTOR KDS-15x		231509/15L
18	TRANSDUCER	1	231522/E
19	REDUCTION GEAR KDS-PL6X	1	231510/6D
	REDUCTION GEAR KDS-PL10X		231510/10D
	REDUCTION GEAR KDS-PL15X		231510/15D
20	BALL 2,5 MM	1	219817
21	COVER KDS-XXCA	1	231526
22	SCREW M3X5 TX10	9	801003
23	ALUMINIUM BODY KDS-XXCA	1	231525
24	LED RING KDS-XXCA	1	231537
25	PCB FLEX LED	1	852531
26	ALUMINIUM BODY (BOARD SUPPORT)	1	231524
27	SCREW M2X6MM TX6	8	231527
28	MOTOR SEAT	1	234505
29	SUPPORT PLUTO 10FN	1	234547
30	SCREW M4 x 5	1	231502
31	GUIDE	1	234548
32	SCREW M3 X 8	2	240005/ZN
33	SLIDING BEARING	1	800317-1
34	TELESCOPIC SPINDLE 1/4" - 3/8"	1	800320

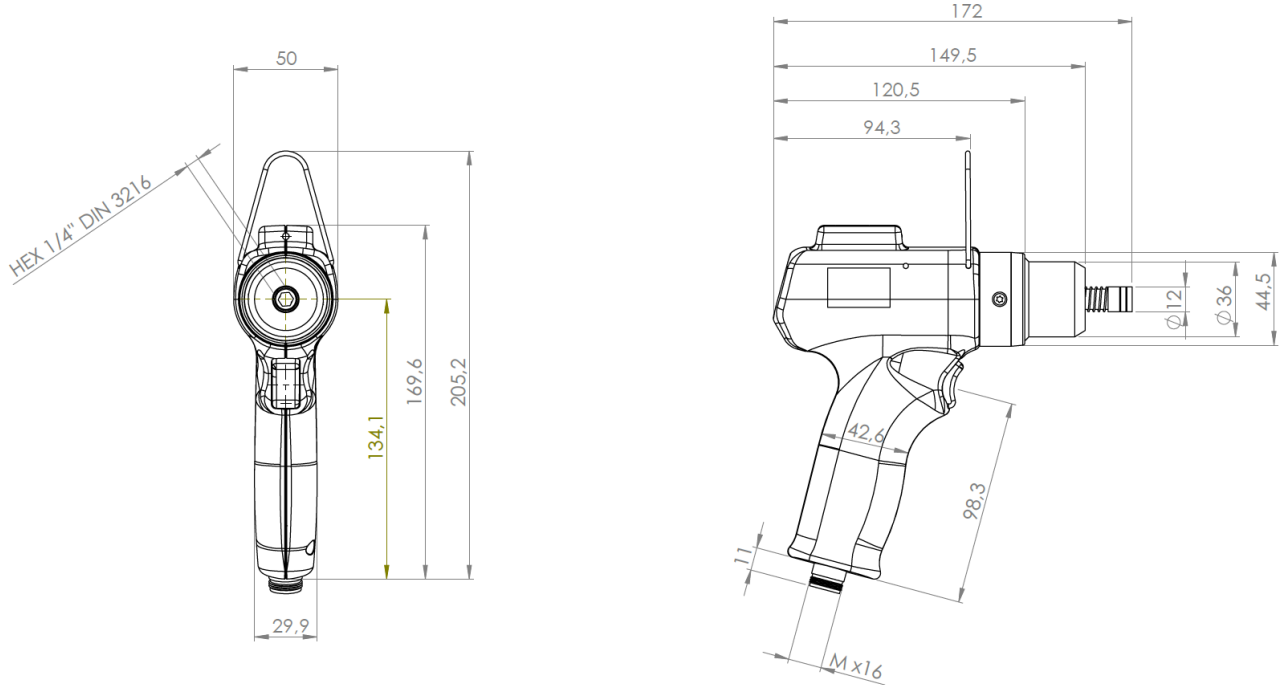
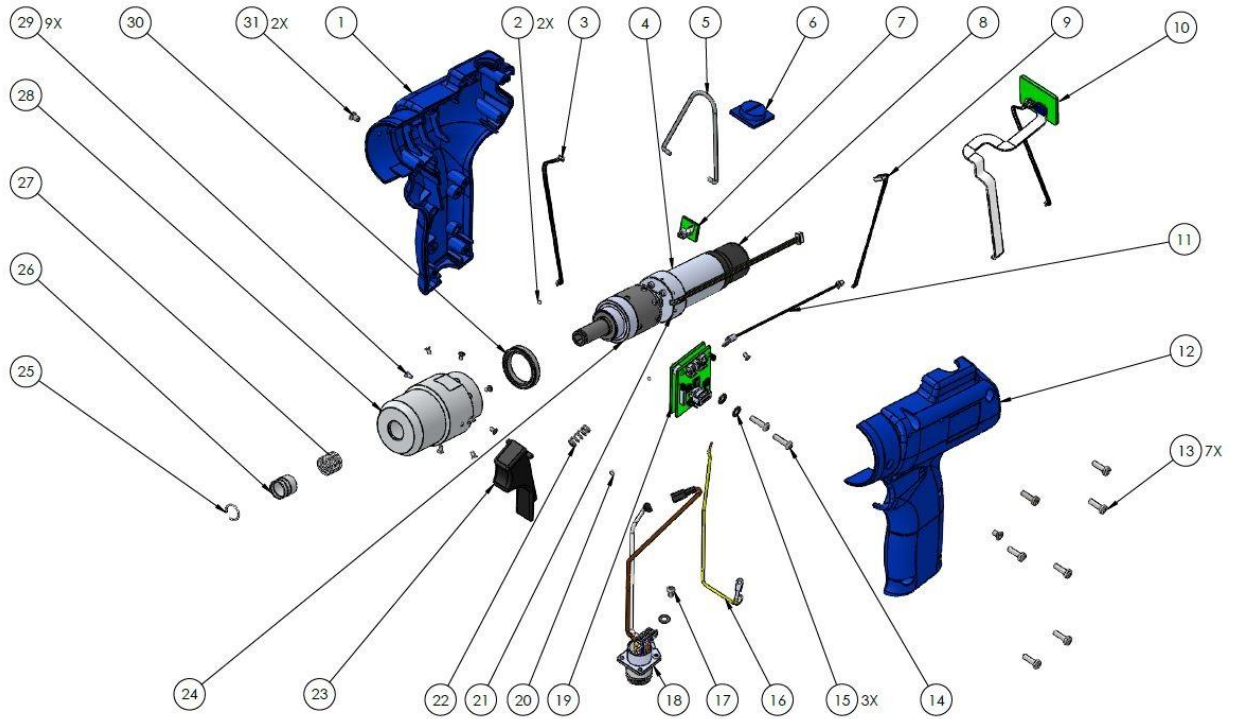
EXPLODED VIEW KDS-MT1.5:



SPARE PARTS KDS-MT1.5:

Pos.	Description	Qty	Code
1	HOOK	1	200060
2	MALE CONNECTOR M16 10 PIN	1	201667
3	PCB FLEX – LED BOARD	1	852537
4	SCREW ZN M3X12 TX10	1	231545
5	LED BOARD KDS/D	1	852535
6	SCREW ZN M3X12 TX10	6	231541
7	LED KDS-XX/D	2	231553
8	BOARD	1	852528
9	SCREW M3X12 ZN TX10	1	231547
10	REVERSE BUTTON KDS	1	231535
11	HOUSING ESD KDS-XX/D	1	231551/ESD
12	MOTOR KDS-MT1.5	1	231509/2L
13	SENSOR	1	231534
14	TRANSDUCER	1	210050/T
15	REDUCTION GEARS KDS-MT1.5	1	250040/TMT
16	SCREW TSP M2X4 TX6 ZN	3	231531
17	MOTOR SEAT	1	234504/TD
18	BEARING	1	231533
19	RING	1	230020/1
20	RING	1	200007
21	SPRING	1	200009
22	BALL 2 MM	1	200011
23	HOUSING ESD KDS-XX/D	1	231550/ESD
24	ENCODER	1	231528
25	LEVER SPRING	1	221061
26	LEVER ESD	1	231552/ESD
27	MAGNET KDS-XX/D	1	231540
28	ENCODER WIRING	1	231536
29	SCREW 2,2X6 TX6	1	231538
30	ENCODER WIRING	1	231546
31	SCREW M2,5X4 TX8	1	872487
32	WASHER	2	800041
	LABEL ESD	1	800199/ESD

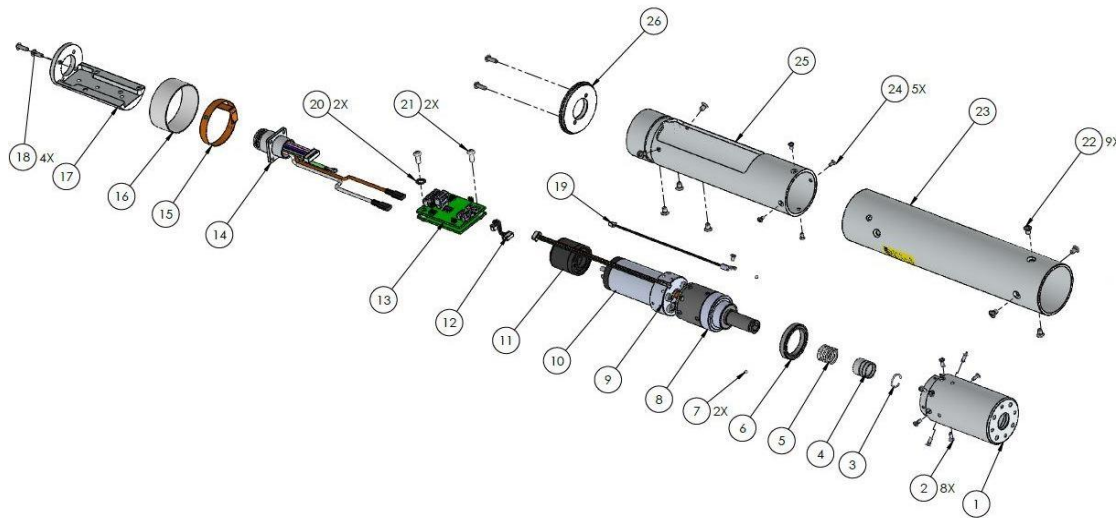
EXPLODED VIEW KDS-MT1.5P:



SPARE PARTS KDS-MT1.5P:

Pos.	Description	Qty	Code
1	HOUSING KDS-XX/P-ESD	1	231560/ESD
2	BALL 2 MM	2	200011
3	PICOBLADE	2	231557
4	MOTOR KDS-MT1.5	1	231509/2L
5	HOOK	1	200060
6	CONNECTOR COVER KDS-XX/P-ESD	1	231562/ESD
7	WHITE LED BOARD KDSXX/P	1	852538
8	ENCODER	1	231528
9	ENCODER WIRING (KDS-PLxxP)	1	231536/L
10	REVERSE SWITCH + LED KDS-PLxxP	1	231535/P
11	SENSOR	1	231534
12	HOUSING KDS-XX/P-ESD	1	231561/ESD
13	SCREW ZN M3X10 TX10	7	231539
14	SCREW M3X12 TESTA ZN TX10	2	231547
15	WASHER M3	3	800041
16	GROUND WIRING KDS-P	1	231546/P
	GROUND WIRING KDS-PU	1	231546/PU
17	SCREW M2,5X6 TX8 ZN TX8	1	872487
18	MALE CONNECTOR M16 10 PIN KDS-PLxxP	1	201667/P
	MALE CONNECTOR M16 10 PIN KDS-PLxxPU	1	201667/PU
19	BOARD KDS-P	1	852528/P
20	MAGNET	1	231540/P
21	TRANSDUCER	1	210050/T
22	SPRING LEVER	1	221061
23	LEVER KDS-XX/P-ESD	1	231563/ESD
24	REDUCTION GEARS KDS-MT1.5	1	250040/TMT
25	RING	1	200007
26	RING	1	230020/1
27	SPRING	1	230021
28	MOTOR SEAT KDS-MT1.5	1	234505/TPM
29	SCREW TSP M2X8 TX6 ZN	8	231554
30	BEARING	1	231533
31	SCREW M3X5 TX10 ZN	2	801003
	LABEL ESD	1	800199/ESD

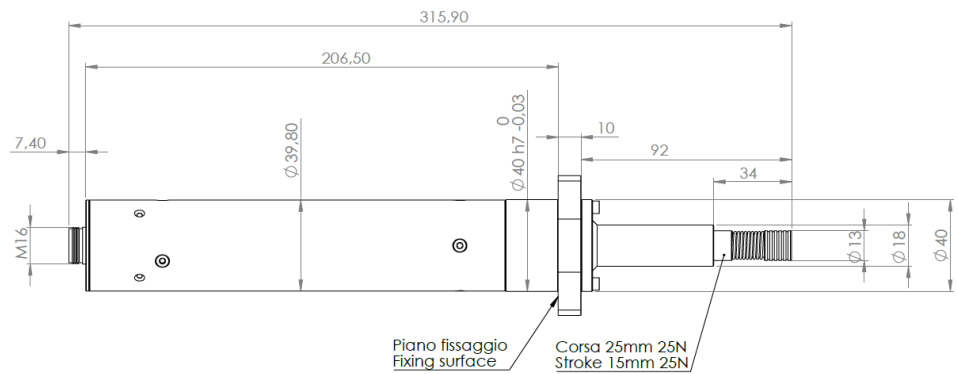
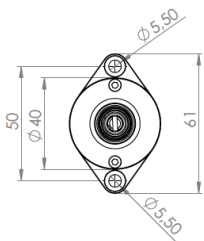
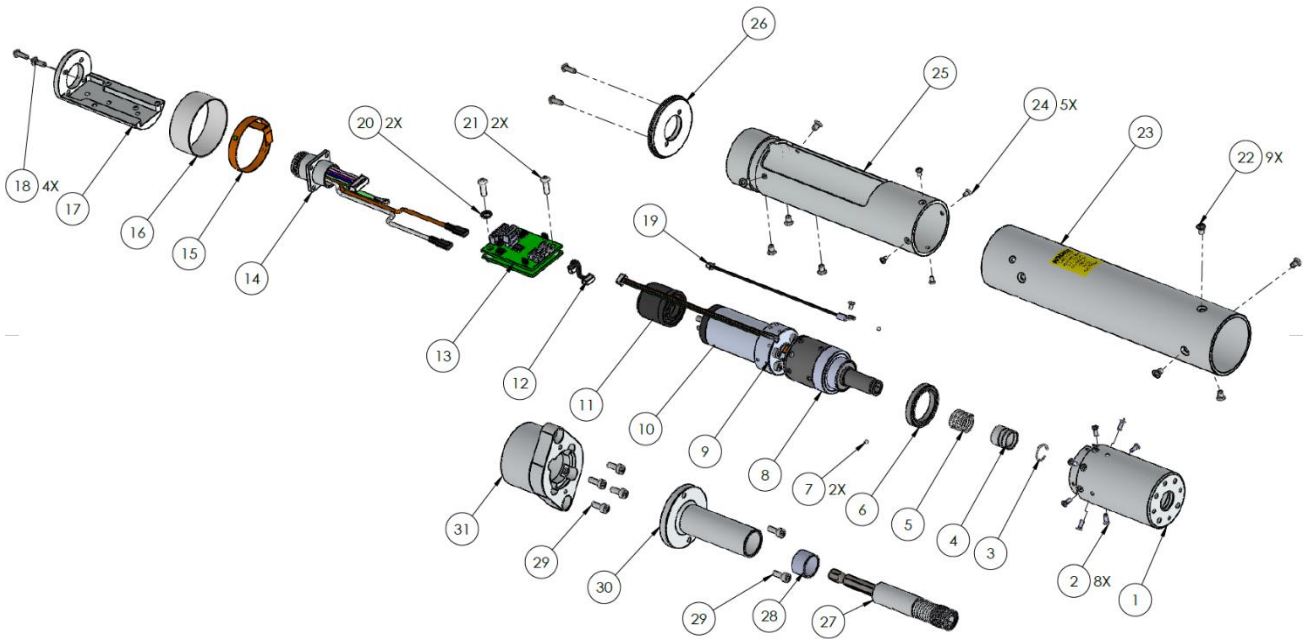
EXPLODED VIEW KDS-MT1.5CA:



SPARE PARTS KDS-MT1.5CA:

Pos.	Description	Qty	Code
1	MOTOR SEAT	1	234505/TCAMT
2	SCREW TSP M2X6 TX6 ZN	8	231527
3	RING	1	200007
4	RING	1	230020/1
5	SPRING	1	230021
6	BEARING	1	231533
7	BALL 2 MM	1	200011
8	REDUCTION GEARS KDS-MT1.5	1	250040/TMT
9	TRANSDUCER	1	210050/T
10	MOTOR KDS-MT1.5	1	231509/2L
11	ENCODER	1	231528
12	ENCODER WIRING	1	231536
13	BOARD	1	852528
14	MALE CONNECTOR M16 10 PIN	1	201667
15	PCB FLEX LED	1	852531
16	LED RING KDS-XXCA	1	231537
17	BOARD SUPPORT	1	231523
18	SCREW M2,5X8 TX8 ZN	4	872478
19	SENSOR	1	231534
20	WASHER	2	800041
21	SCREW M3X10 ZN TX10	2	231530
22	SCREW M3X5 TX10 ZN	9	801003
23	ALUMINIUM BODY	1	231525/MT
24	SCREW M3X5 TX10 ZN	5	801003
25	ALUMINIUM BODY (BOARD SUPPORT)	1	231524/MT
26	CAP	1	231526
	LABEL	1	800199

EXPLODED VIEW KDS-MT1.5CA/FN:

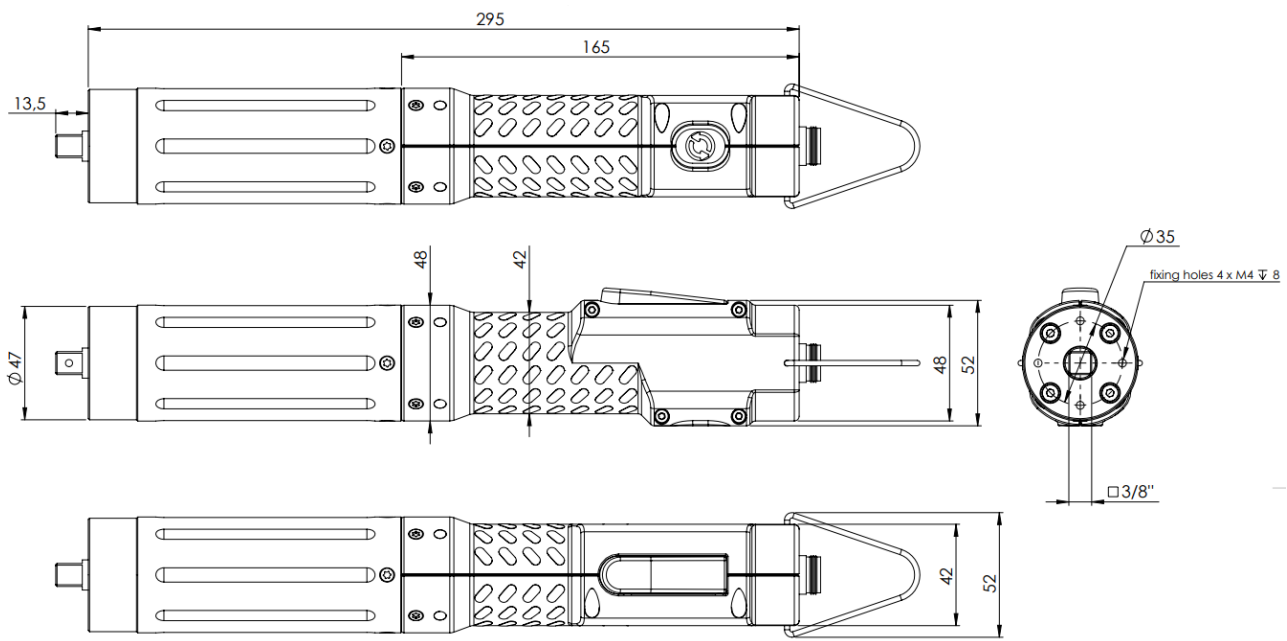
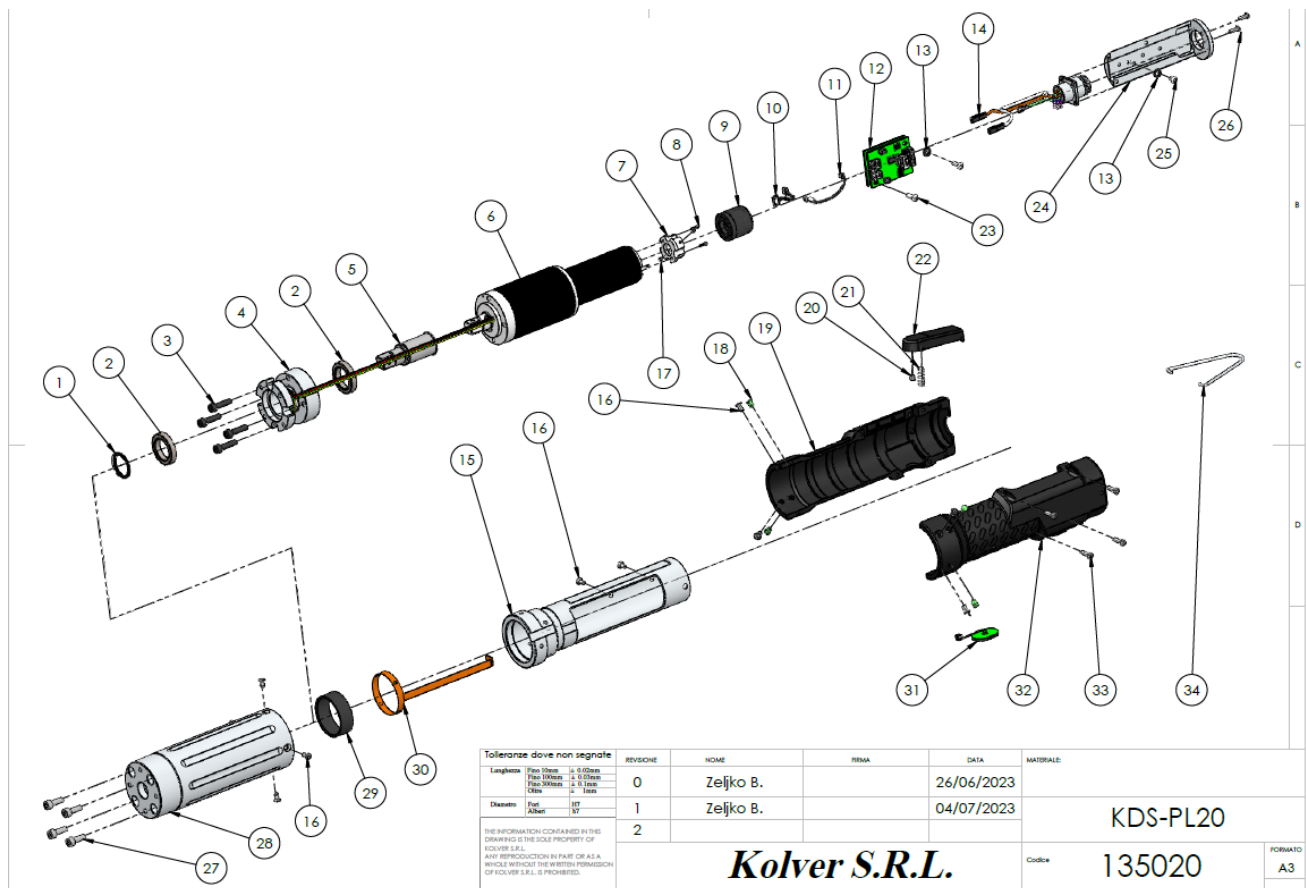


SPARE PARTS KDS-MT1.5CA/FN:

Pos.	Description	Qty	Code
1	MOTOR SEAT	1	234505/TCAMT
2	SCREW TSP M2X6 TX6 ZN	8	231527
3	RING	1	200007
4	RING	1	230020/1
5	SPRING	1	230021
6	BEARING	1	231533
7	BALL 2 MM	1	200011
8	REDUCTION GEARS KDS-MT1.5	1	250040/TMT
9	TRANSDUCER	1	210050/T
10	MOTOR KDS-MT1.5	1	231509/2L
11	ENCODER	1	231528
12	ENCODER WIRING	1	231536
13	BOARD	1	852528
14	MALE CONNECTOR M16 10 PIN	1	201667
15	PCB FLEX LED	1	852531
16	LED RING KDS-XXCA	1	231537
17	BOARD SUPPORT	1	231523
18	SCREW M2,5X8 TX8 ZN	4	872478
19	SENSOR	1	231534
20	WASHER	2	800041
21	SCREW M3X10 ZN TX10	2	231530
22	SCREW M3X5 TX10 ZN	9	801003
23	ALUMINIUM BODY	1	231525/MT
24	SCREW M3X5 TX10 ZN	5	801003
25	ALUMINIUM BODY	1	231524/MT
26	CAP	1	231526
27	COMPENSATOR 1/4"-1/4"	1	800322
28	PERMAGLIDE	1	800334
29	SCREW M3X6	6	231504/ZN
30	TELESCOPIC DRIVE BUSH	1	250010
31	SUPPORT PLATE	1	234547

EXPLODED VIEW KDS-PL20:

Note: ask Kolver for the corresponding documents for 2022 discontinued S/R button style

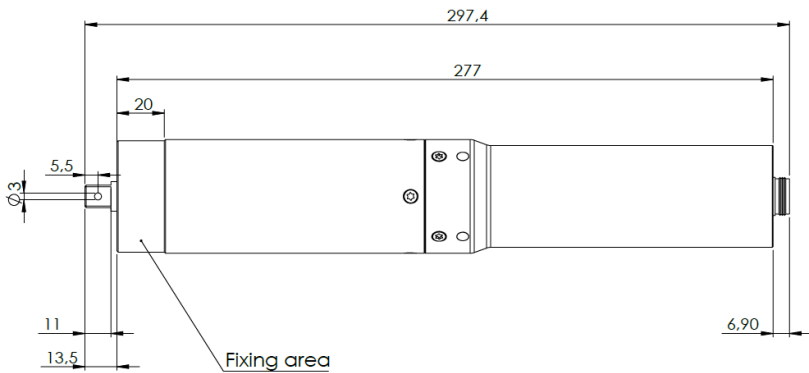
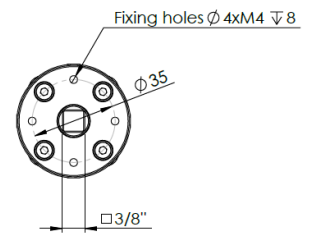
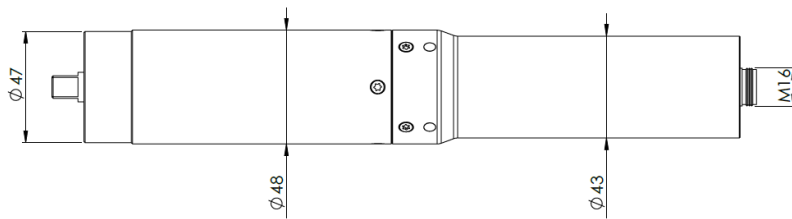
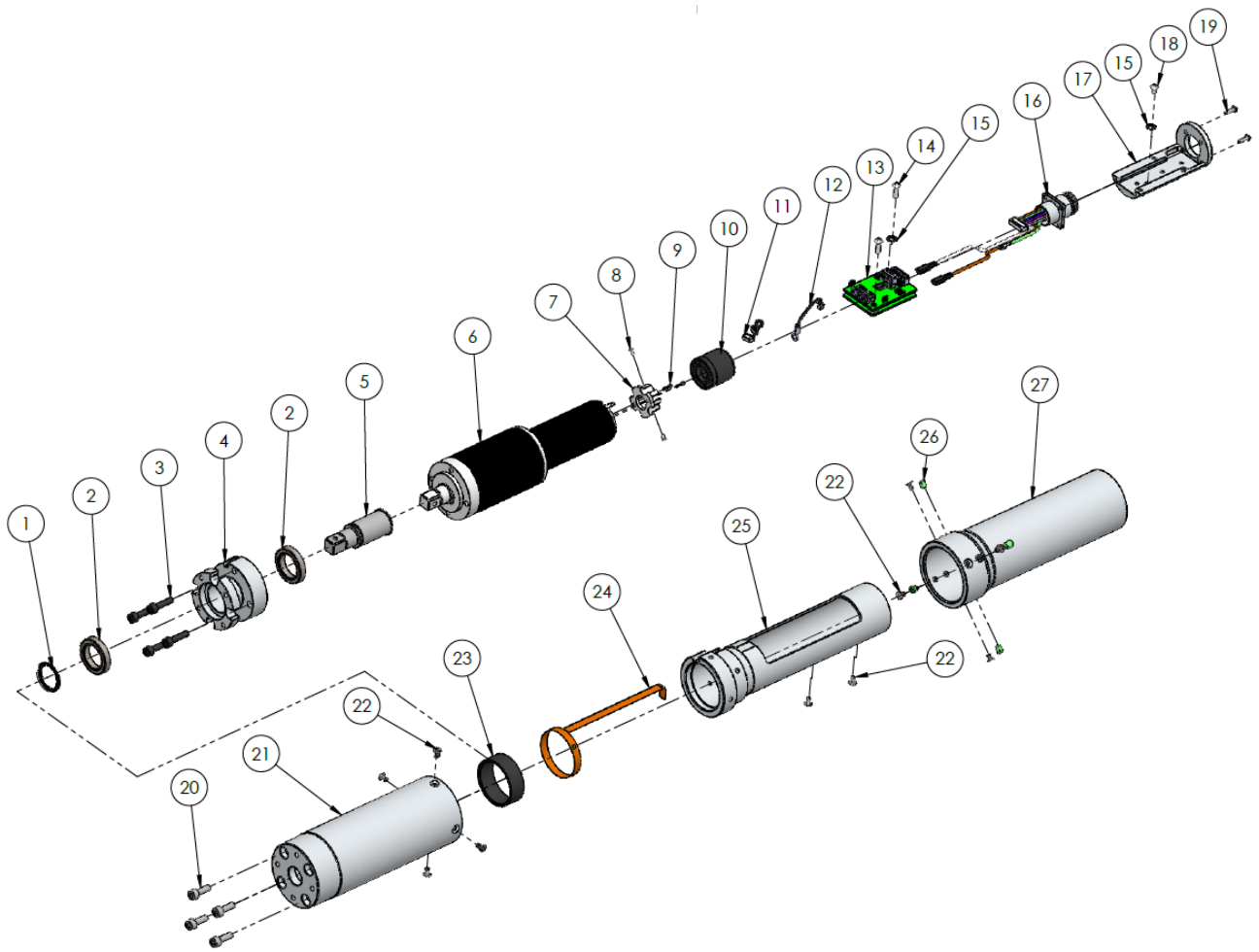


SPARE PARTS KDS-PL20:

Note: ask Kolver for the corresponding documents for 2022 discontinued S/R button style

Pos.	Description	Qty	Code
1	RING 17mm	1	234920
2	TRANSDUCER BEARING KDS PL20	2	234922
3	SCREW 8.8 M4X16	4	240020
4	TRANSDUCER KDS PL20	1	234903
5	JOINT SHAFT KDS PL20	1	234904
6	MOTOR+REDUCTION GEARS KDS PL20	1	231612/20M
7	ENCODER CLAMP	1	234530/S
8	SCREW M1.6X6	3	872473
9	ENCODER	1	231528
10	ENCODER WIRING	1	231536
11	SENSOR	1	231534
12	BOARD	1	852528
13	WASHER	2	800041
14	MALE CONNECTOR M16 10 PIN	1	201667
15	BOARD SUPPORT BODY	1	234902
16	SCREW M3X6 TX10	10	801002
17	SCREW M2X4	2	801004
18	LED GUIDE KDS	4	231553
19	RIGHT HOUSING	1	234930/DX
20	MAGNET	1	231540
21	LEVER SPRING	1	221061
22	LEVER	1	234930-LV
23	SCREW M3X10	2	231530
24	BOARD SUPPORT	1	231523
25	SCREW M3X5	1	872444
26	SCREW M2,5X8 TX8	4	872478
27	SCREW M4X12	4	231507
28	BODY (REDUCTION GEARS)	1	234900
29	BUSH	1	234924
30	PCB FLEX GUIDE	1	852531/L
31	REVERSE/START	1	231535
32	LEFT HOUSING	1	234930/SX
33	SCREW M3X10	4	231539
34	HOOK	1	200060

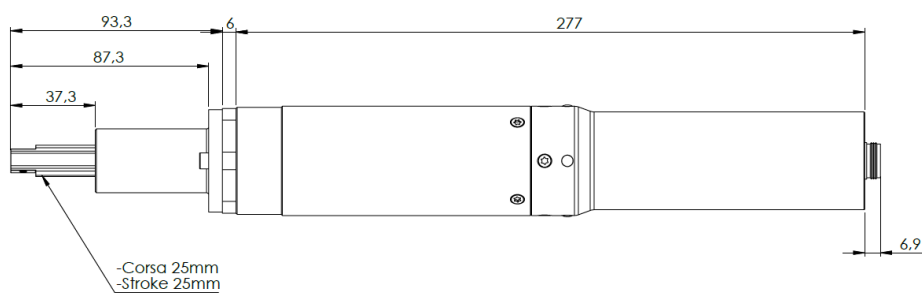
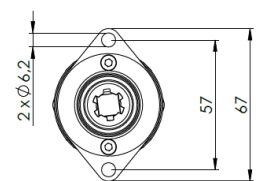
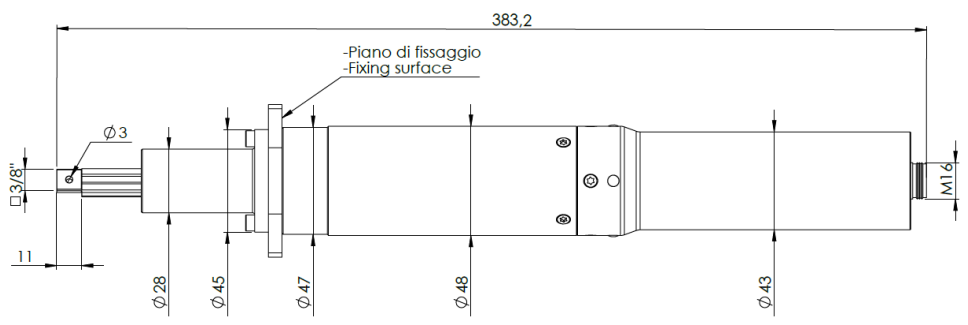
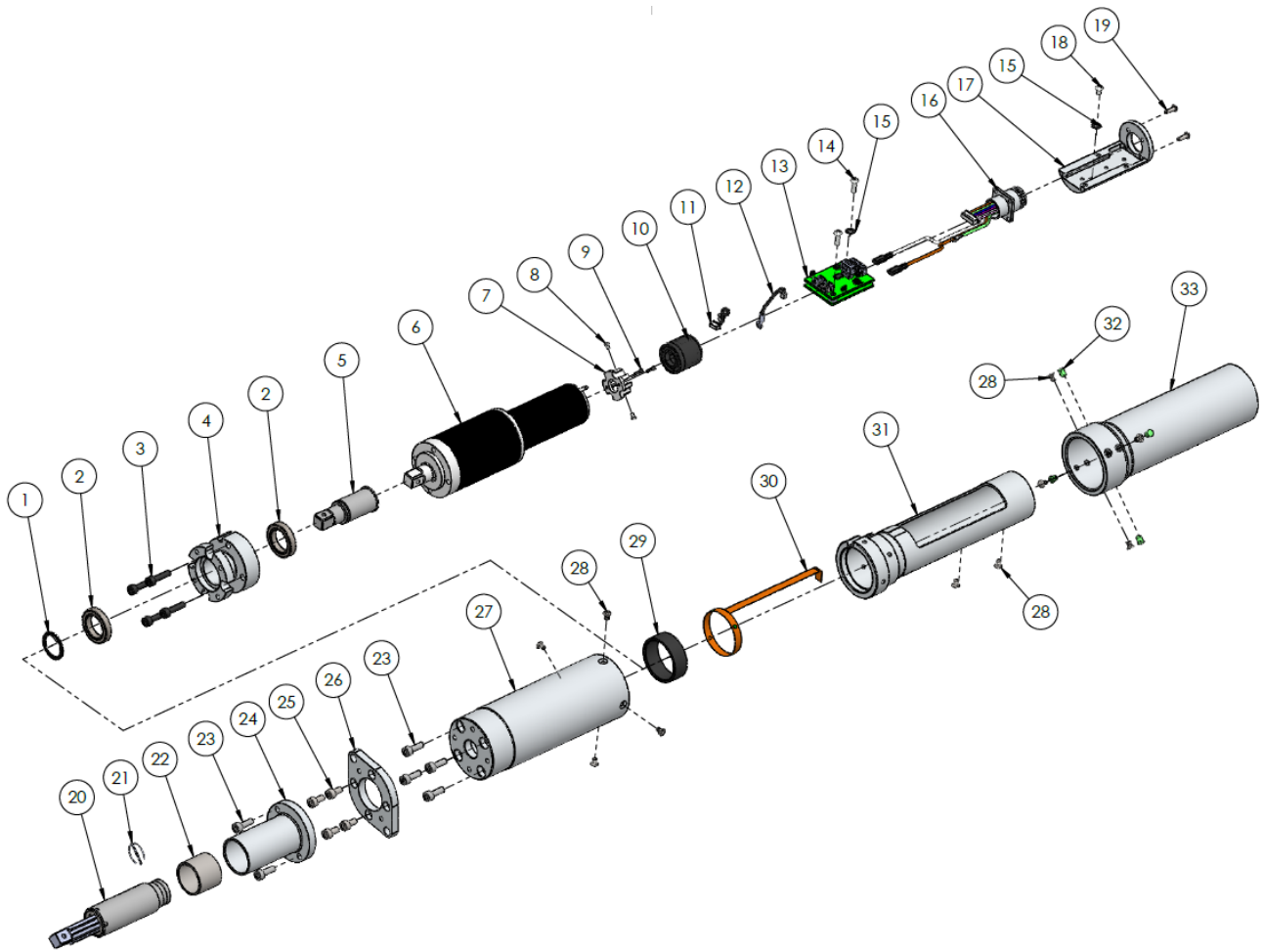
EXPLODED VIEW KDS-PL20CA:



SPARE PARTS KDS-PL20CA:

Pos.	Description	Qty	Code
1	RING 17mm	1	234920
2	TRANSDUCER BEARING KDS PL20	2	234922
3	SCREW 8.8 M4X16	4	240020
4	TRANSDUCER KDS PL20	1	234903
5	JOINT SHAFT KDS PL20	1	234904
6	MOTOR+REDUCTION GEARS KDS PL20	1	231612/20M
7	ENCODER CLAMP	1	234530/S
8	SCREW M2X4	2	801004
9	SCREW M1.6X6	3	872473
10	ENCODER	1	231528
11	ENCODER WIRING	1	231536
12	SENSOR	1	231534
13	BOARD	1	852528
14	SCREW M3X10	2	231530
15	WASHER	2	801005
16	MALE CONNECTOR M16 10 PIN	1	201667
17	BOARD SUPPORT	1	231523
18	SCREW M3X5	1	872444
19	SCREW M2,5X8 TX8	2	872478
20	SCREW M4X12	4	231507
21	BODY (REDUCTION GEARS)	1	234900
22	SCREW M3X6 TX10	10	801002
23	BUSH KDS PL20	1	234924
24	PCB FLEX LED KDS PL20	1	852531/L
25	BOARD SUPPORT BODY	1	234902
26	LED GUIDE KDS-XX/D	4	231553
27	BODY	1	234910

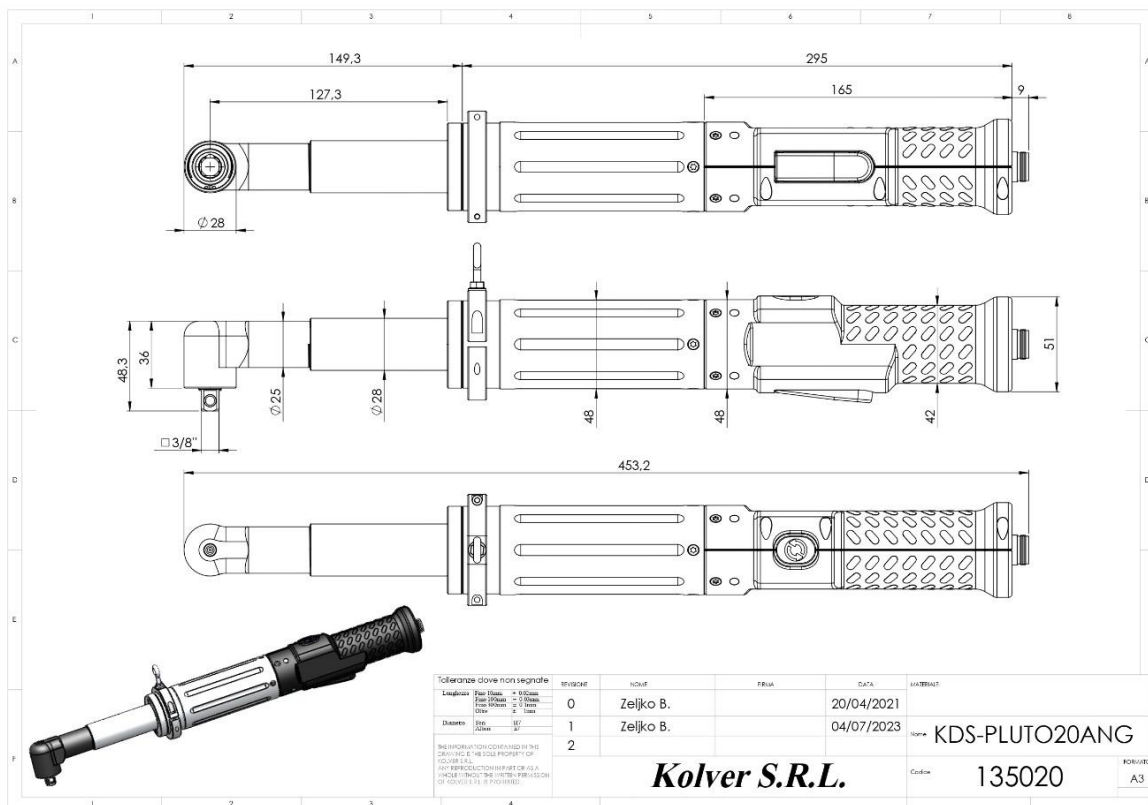
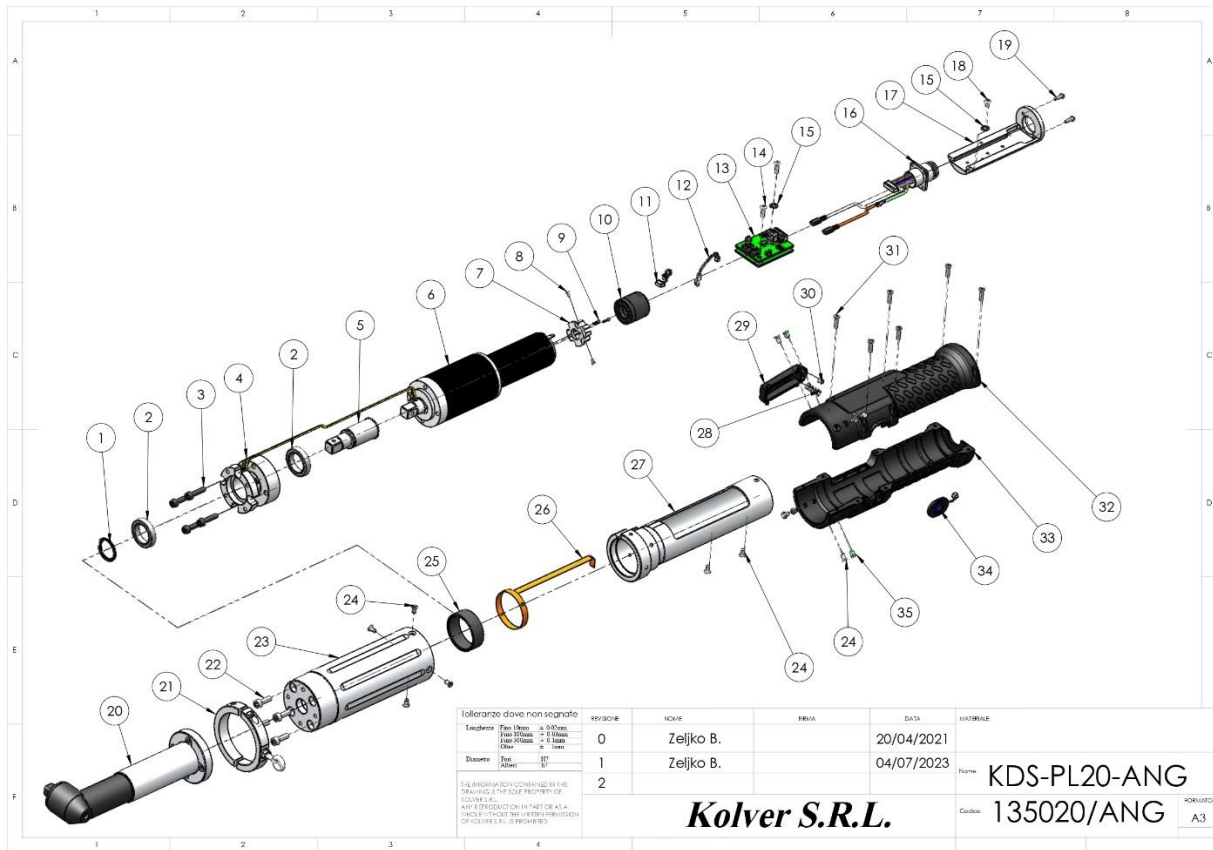
EXPLODED VIEW KDS-PL20CA/FN:



SPARE PARTS KDS-PL20CA/FN:

Pos.	Description	Qty	Code
1	RING 17mm	1	234920
2	TRANSDUCER BEARING KDS PL20	2	234922
3	SCREW 8.8 M4X16	4	240020
4	TRANSDUCER KDS PL20	1	234903
5	JOINT SHAFT KDS PL20	1	234904
6	MOTOR+REDUCTION GEARS KDS PL20	1	231612/20M
7	ENCODER CLAMP	1	234530/S
8	SCREW M2X4	2	801004
9	SCREW M1.6X6	3	872473
10	ENCODER	1	231528
11	ENCODER WIRING	1	231536
12	SENSOR	1	231534
13	BOARD	1	852528
14	SCREW M3X10	2	231530
15	WASHER	2	801005
16	MALE CONNECTOR M16 10 PIN	1	201667
17	BOARD SUPPORT	1	231523
18	SCREW M3X5	1	872444
19	SCREW M2,5X8 TX8	2	872478
20	COMPENSATOR 3/8"	1	800321
21	1301-C SPINE 3/8"	1	FE-1301C
22	PERMAGLIDE	1	800317/1
23	SCREW M4X12	6	231507
24	TELESCOPIC GUIDE	1	800302/20
25	SCREW M4X8	4	231505
26	CLAMP	1	234510/20/3
27	BODY (REDUCTION GEARS)	1	234900
28	SCREW M3X6 TX	10	801002
29	BUSH KDS PL20	1	234924
30	PCB FLEX LED KDS PL20	1	852531/L
31	BOARD SUPPORT BODY	1	234902
32	LED GUIDE KDS-XX/D	4	231553
33	BODY (BOARD)	1	234910

EXPLODED VIEW KDS-PL20ANG:

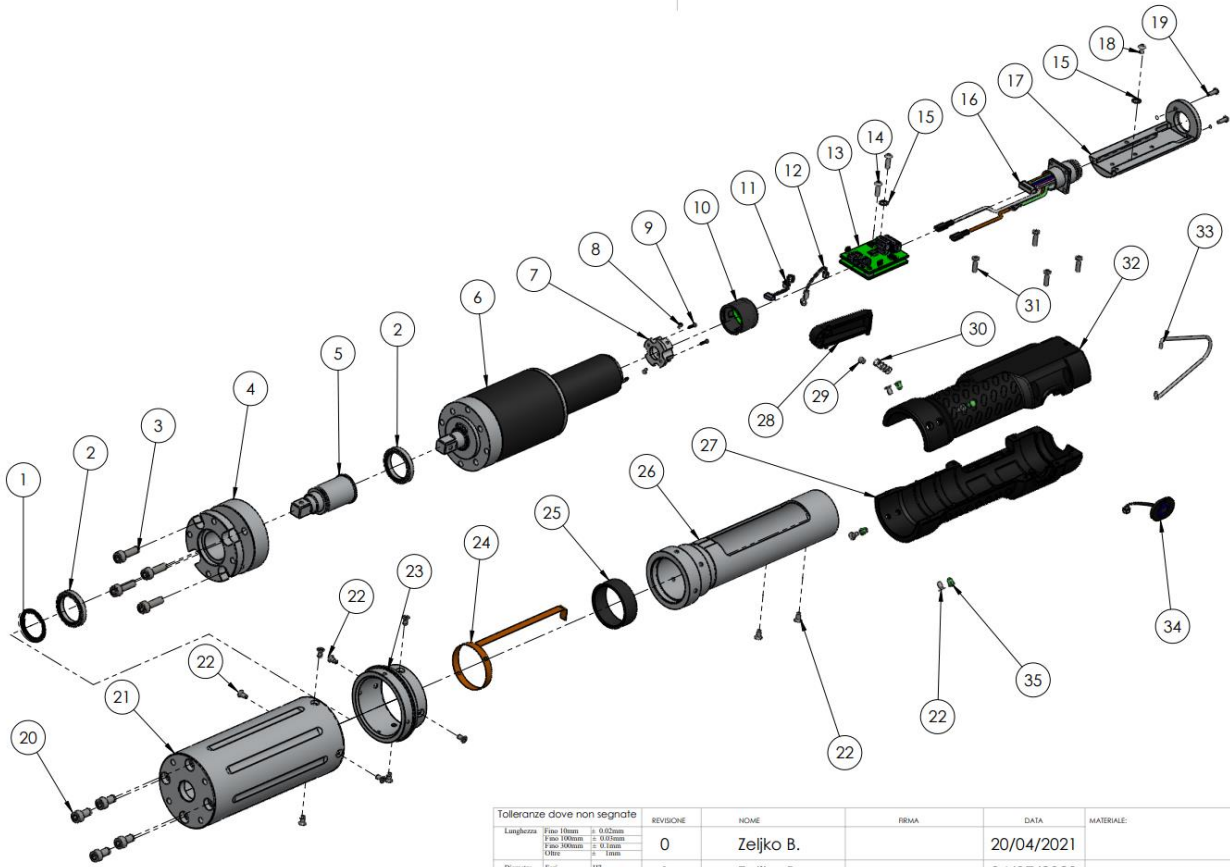


SPARE PARTS KDS-PL20ANG:

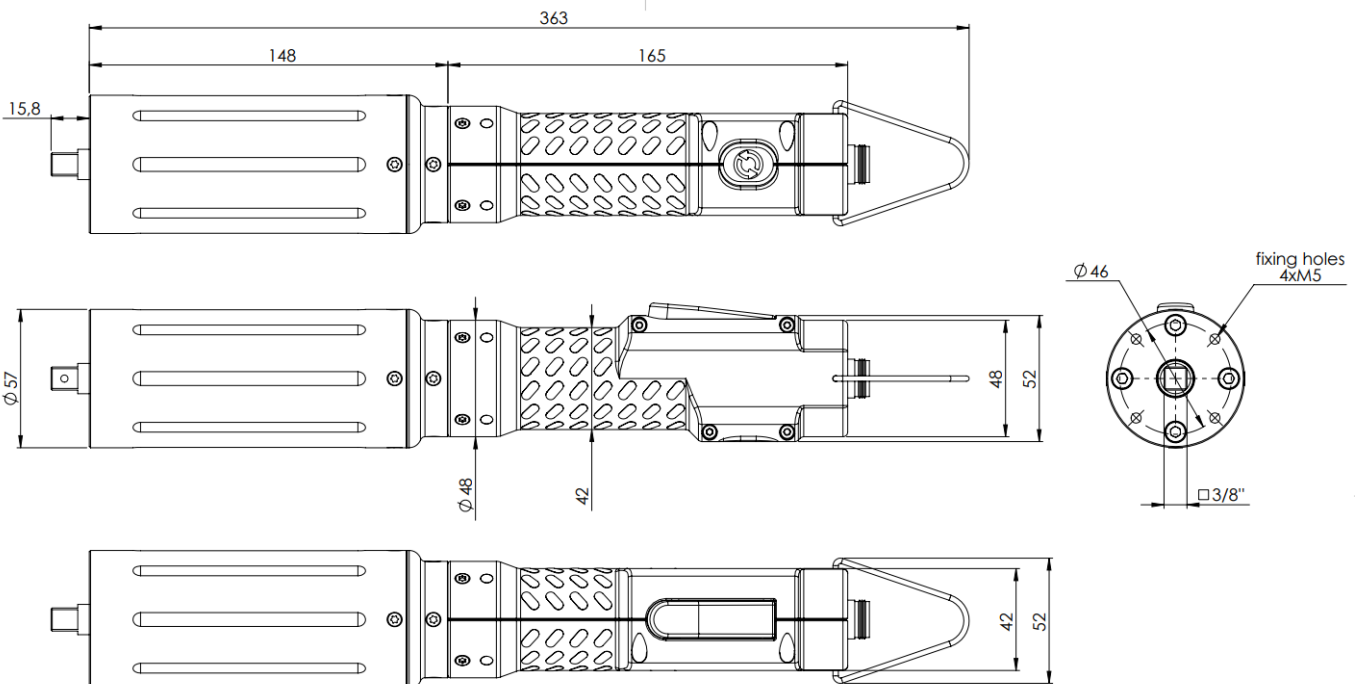
Pos.	Description	Qty	Code
1	RING 17mm	1	234920
2	TRANSDUCER BEARING KDS PL20	2	234922
3	SCREW 8.8 M4X16	4	240020
4	TRANSDUCER KDS PL20	1	234903
5	JOINT SHAFT KDS PL20	1	234904
6	MOTOR+REDUCTION GEARS KDS PL20	1	231609/20
7	ENCODER CLAMP	1	234530/S
8	SCREW M2X4	2	801004
9	SCREW M1.6X6	2	872473
10	ENCODER	1	231528
11	ENCODER WIRING	1	231536
12	SENSOR	1	231534
13	BOARD	1	852528
14	SCREW M3X10	2	231530
15	WASHER	2	800041
16	MALE CONNECTOR M16 10 PIN	1	201667
17	BOARD SUPPORT	1	231523
18	SCREW M3X5	1	872444
19	SCREW M2,5X8 TX8	2	872478
20	ANG HD12	1	010147
21	RINIG SUPPORT	1	010173
22	SCREW M4X12	1	231507
23	BODY (REDUCTION GEARS)	1	234900
24	SCREW M3X6 TX	10	801002
25	BUSH KDS PL20	1	234924
26	PCB FLEX LED KDS PL20	1	852531/L
27	BODY (BOARD)	1	234902
28	LEVER SPRING	1	221061
29	LEVER	1	234930-LV
30	MAGNET	2	231540
31	SCREW M3X10 TX10	6	231539
32	LEFT ANG HOUSING	1	234930/ANG/SX
33	RIGHT ANG HOUSING	1	234930/ANG/DX
34	REVERSE	1	231535
35	LED GUIDE	1	231553

EXPLODED VIEW KDS-PL35:

Note: ask Kolver for the corresponding documents for 2022 discontinued S/R button style



Tolleranze dove non segnate		REVISIONE	NO.ME	FIRMA	DATA	MATERIALE
Lunghezza Foro 10mm ± 0,05mm Foro 10mm ± 0,05mm Foro 10mm ± 0,05mm Foro 10mm ± 0,05mm Foro 10mm ± 0,05mm	0	Zeljko B.			20/04/2021	
Diametro Foro H7 Foro H7	1	Zeljko B.			04/07/2023	
THE INFORMATION CONTAINED IN THIS DRAWING IS THE SOLE PROPERTY OF KOLVER S.R.L. ANY REPRODUCTION IN PART OR AS A WHOLE WITHOUT THE WRITTEN PERMISSION OF KOLVER S.R.L. IS PROHIBITED.						Name KDS-PL35
Kolver S.R.L.						Codice 135035

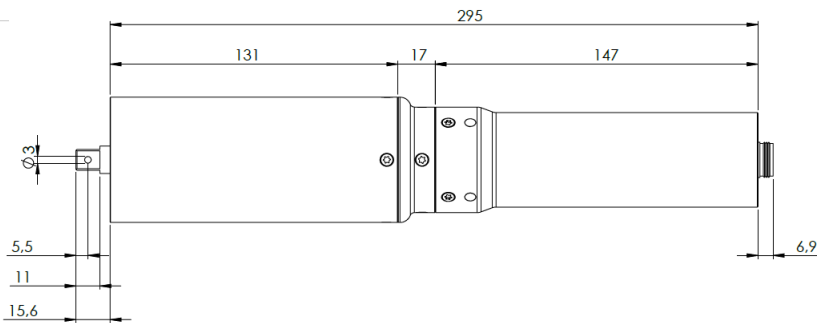
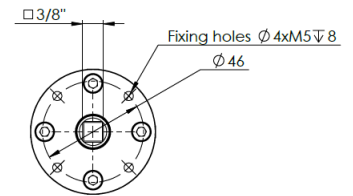
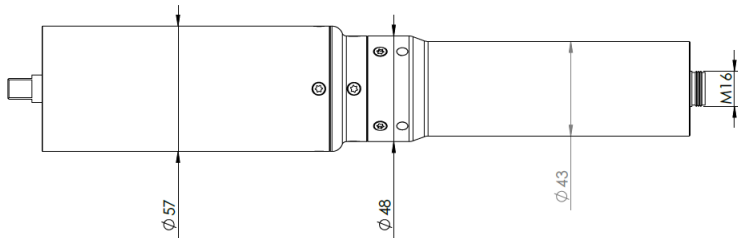
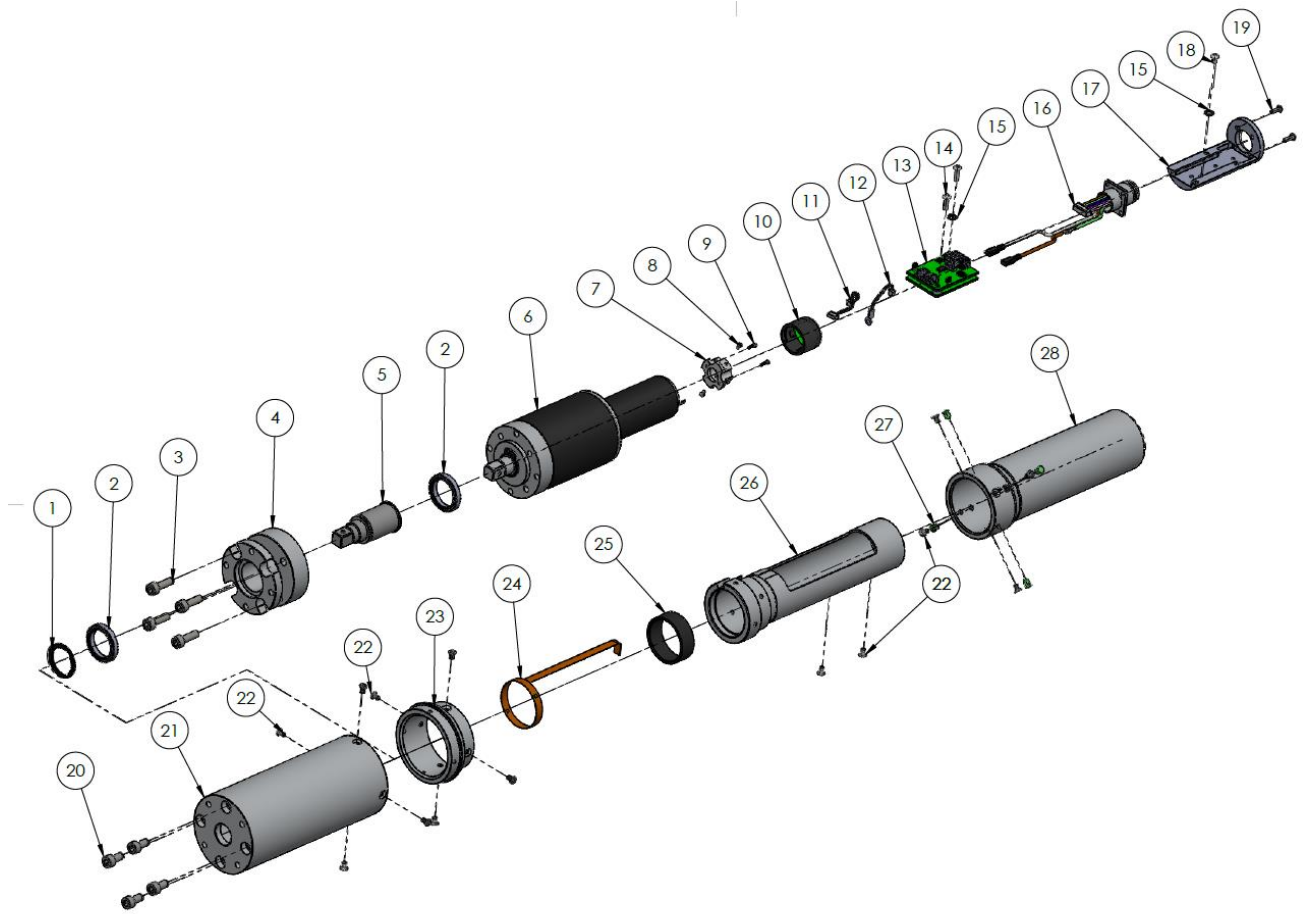


SPARE PARTS KDS-PL35:

Note: ask Kolver for the corresponding documents for 2022 discontinued S/R button style

Pos.	Description	Qty	Code
1	RING 17mm	1	234920
2	TRANSDUCER BEARING	2	231533
3	SCREW M5X16	4	234588
4	TRANSDUCER	1	234907
5	JOINT SHAFT KDS PL35	1	234908
6	MOTOR+REDUCTION GEARS	1	231612/30M
7	ENCODER CLAMP	1	234530/S
8	SCREW M2X4	2	801004
9	SCREW M1.6X6	2	872473
10	ENCODER	1	231528
11	ENCODER WIRING	1	231536
12	SENSOR	1	231534
13	BOARD	1	852528
14	SCREW M3X10	2	231530
15	WASHER	2	800041
16	MALE CONNECTOR M16 10 PIN	1	201667
17	BOARD SUPPORT	1	231523
18	SCREW M3X5	1	872444
19	SCREW M2.5X8 TX8	4	872478
20	SCREW 5X10	4	231503
21	BODY (REDUCTION GEARS)	1	234905
22	SCREW M3X6 TX10	14	801002
23	JOINT	1	234906
24	PCB FLEX GUIDE	1	852531/L
25	BUSH	1	234924
26	BODY (BOARD)	1	234902
27	RIGHT HOUSING	1	234930/DX
28	LEVER	1	234930-LV
29	MAGNET	1	231540
30	LEVER SPRING	1	221061
31	SCREW M3X10 TX10	4	231539
32	LEFT HOUSING	1	234930/SX
33	HOOK	1	200060
34	REVERSE/START	1	231535
35	LED GUIDE	4	231553

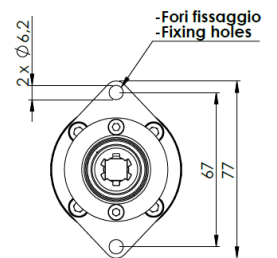
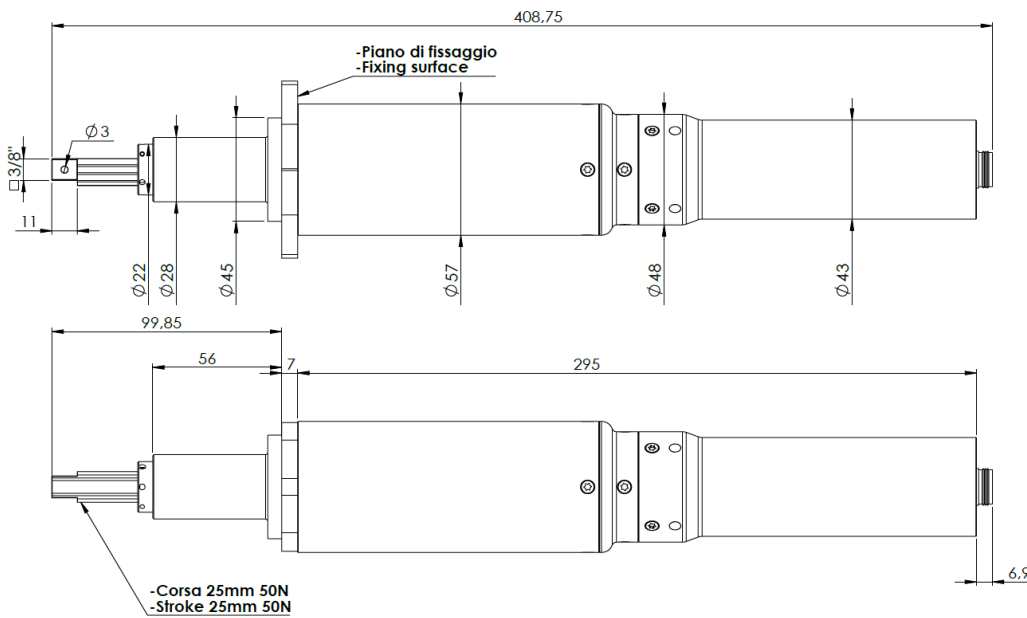
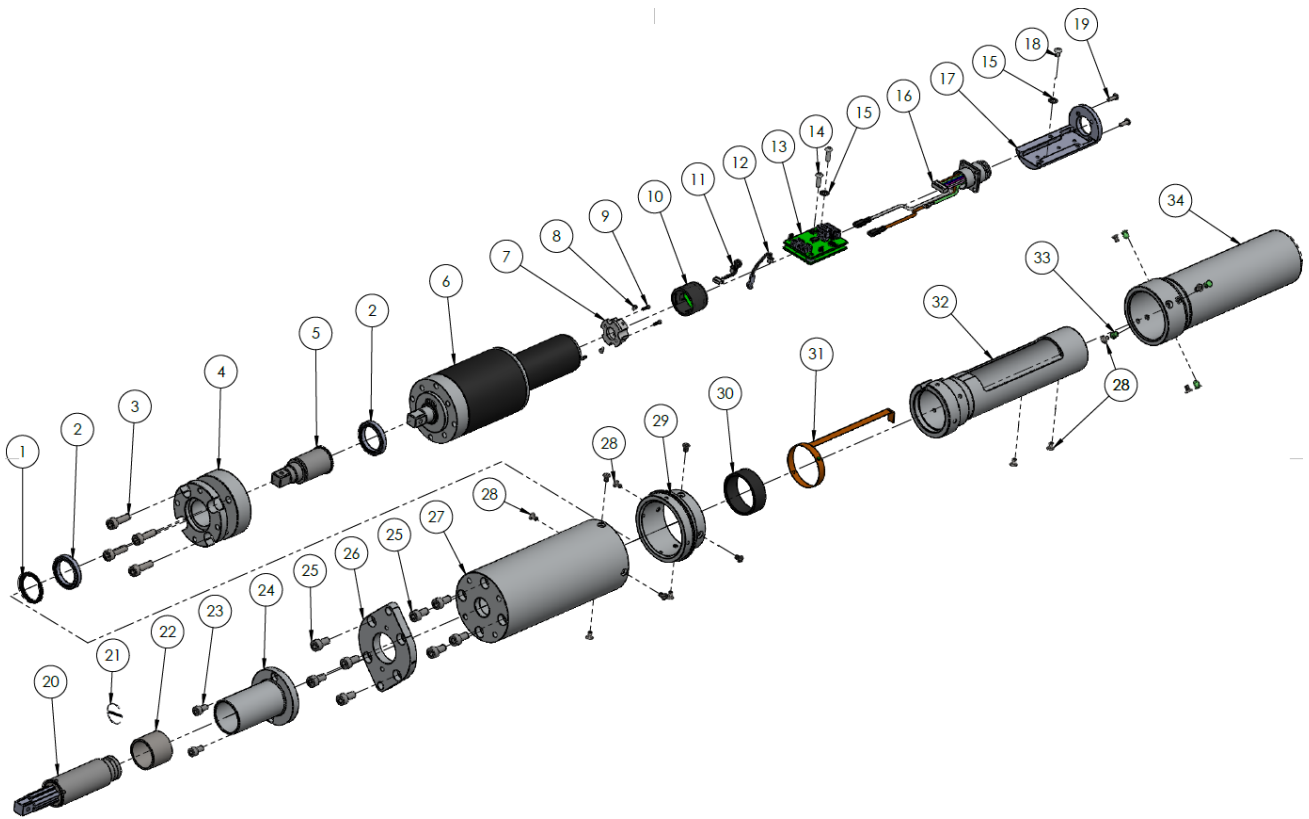
EXPLODED VIEW KDS-PL35CA:



SPARE PARTS KDS-PL35CA:

Pos.	Description	Qty	Code
1	RING 17mm	1	234921
2	TRANSDUCER BEARING KDS	2	231533
3	SCREW 8.8 M4X16	4	234588
4	TRANSDUCER KDS PL35	1	234907
5	JOINT SHAFT KDS PL35	1	234908
6	MOTOR+REDUCTION GEARS KDS PL35	1	231612/30M
7	ENCODER CLAMP	1	234530/S
8	SCREW M2X4	2	801004
9	SCREW M1_6X6	2	872473
10	ENCODER	1	231528
11	ENCODER WIRING	1	231536
12	SENSOR	1	231534
13	BOARD	1	852528
14	SCREW M3X10	2	231530
15	WASHER	1	800041
16	MALE CONNECTOR M16 10 PIN	1	201667
17	SUPPORT BOARD	1	231523
18	SCREW M3X5	1	872444
19	SCREW M2,5X8 TX8	2	872478
20	SCREW M5X10	4	231503
21	BODY (REDUCTION GEARS)	1	234905
22	SCREW M3X6 TX10	14	801002
23	JONCTION	1	234906
24	PCB FLEX LED	1	852531/L
25	BUSH	1	234924
26	BOARD SUPPORT BODY	1	234902
27	LED GUIDE	4	231553
28	BODY	1	234910

EXPLODED VIEW KDS-PL35CA/FN:

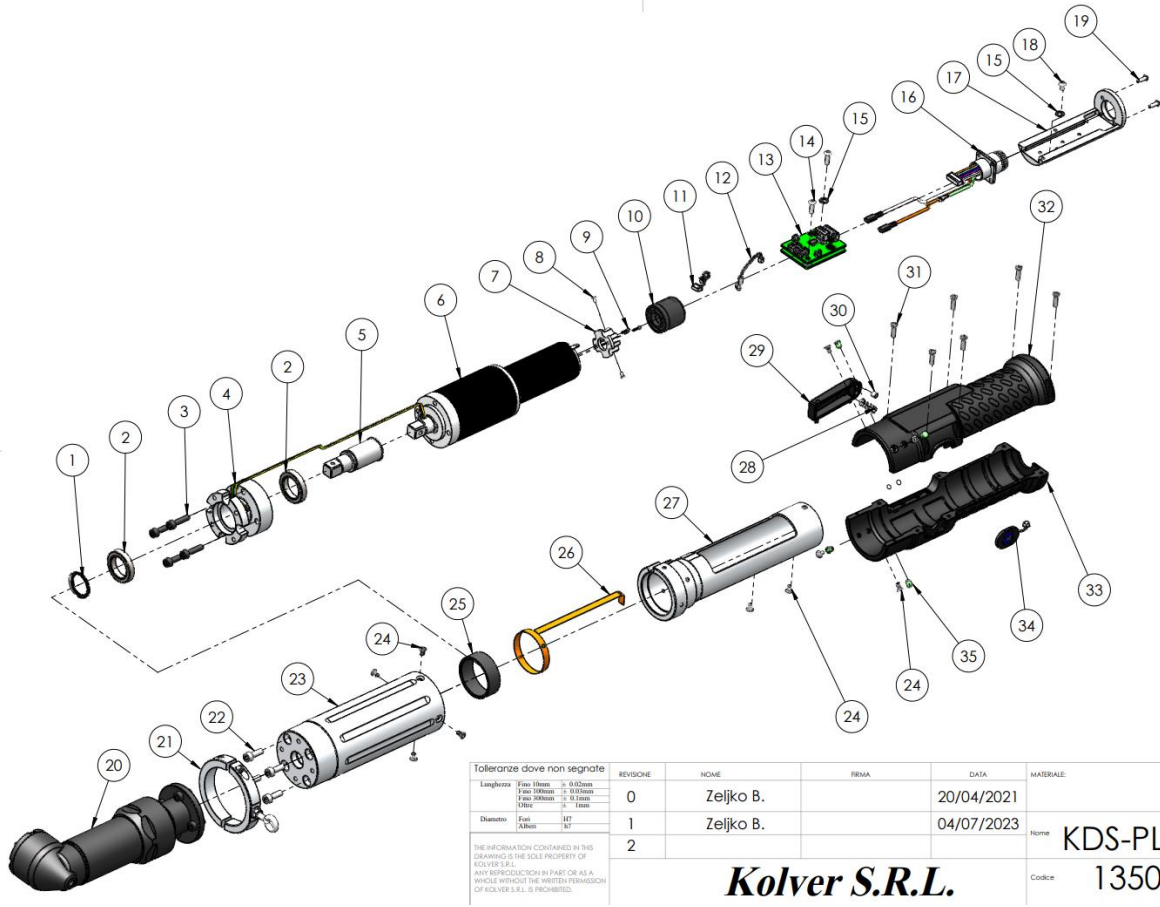


SPARE PARTS KDS-PL35CA/FN:

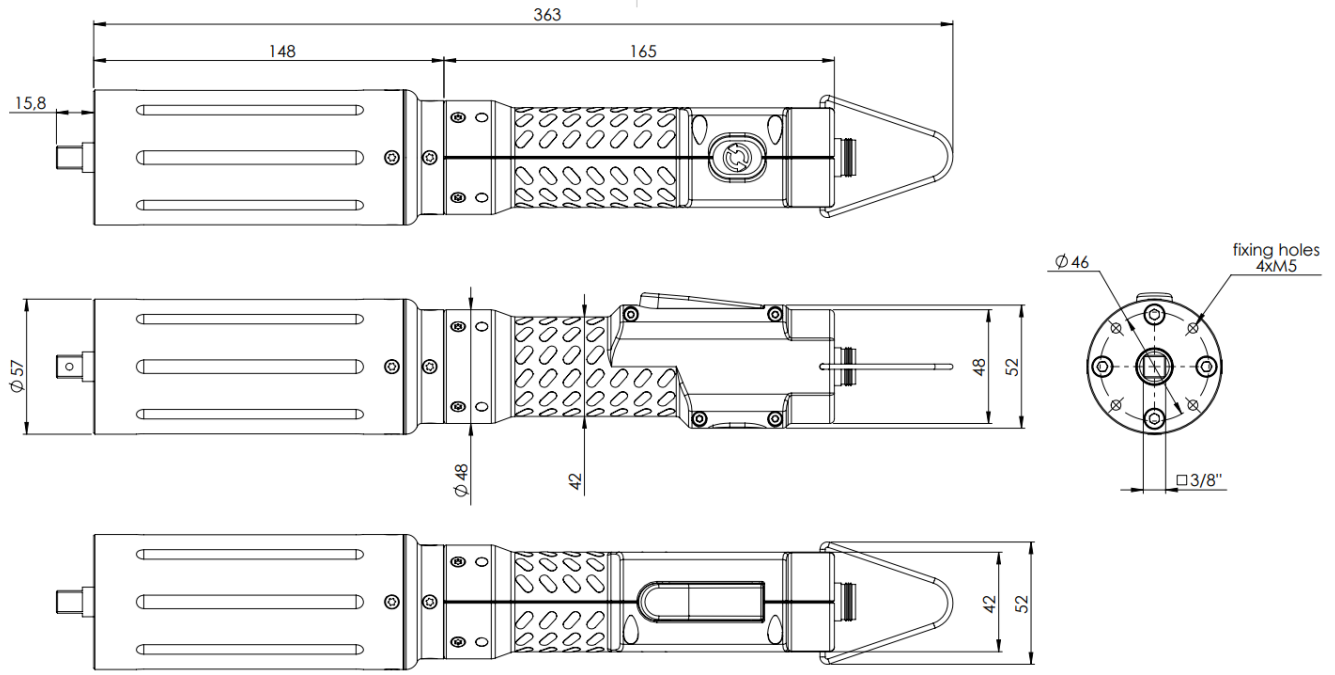
Pos.	Description	Qty	Code
1	RING 20mm	1	234921
2	TRANSDUCER BEARING KDS	2	231533
3	SCREW M5X16	4	234588
4	TRANSDUCER PL35	1	234907
5	JOINT SHAFT KDS PL35	1	234908
6	MOTOR+REDUCTION GEARS KDS PL35	1	231612/30M
7	ENCODER CLAMP	1	234530/S
8	SCREW M2X4	2	801004
9	SCREW M1_6X6	2	872473
10	ENCODER	1	231528
11	ENCODER WIRING	1	231536
12	SENSOR	1	231534
13	BOARD	1	852528
14	SCREW M3X10	2	231530
15	WASHER	1	800041
16	MALE CONNECTOR M16 10 PIN	1	201667
17	SUPPORT BOARD	1	231523
18	SCREW M3X5	1	872444
19	SCREW M2,5X8 TX8	2	872478
20	COMPENSATOR 3/8"	1	800321
21	1301-C SPINE 3/8"	1	FE-1301C
22	PERMAGLIDE	1	800317/1
23	SCREW M4X8	2	231505
24	TELESCOPI BUSH GUIDE	1	800302/20
25	SCREW M5X10	8	231503
26	CLAMP	1	234510/30/3
27	BODY (REDUCTION GEARS)	1	234905
28	SCREW M3X6 TX10	14	801002
29	JONCTION	1	234906
30	BUSH	1	234924
31	PCB FLEX LED	1	852531/L
32	BOARD SUPPORT BODY	1	234902
33	LED GUIDE	4	231553
34	BODY	1	234910

EXPLODED VIEW KDS-PL30ANG:

Note: ask Kolver for the corresponding documents for 2022 discontinued S/R button style



Tolleranze dove non segnate		REVISIONE	NOVME	FIRMA	DATA	MATERIALE
Length	Fine 0.05mm	0	Zeljko B.		20/04/2021	
Width	Fine 0.05mm	1	Zeljko B.		04/07/2023	
Diameter	Fine 0.05mm	2				
Radius	Fine 0.1mm					
<small>THE INFORMATION CONTAINED IN THIS DRAWING IS THE SOLE PROPERTY OF KOLVER S.R.L. ANY REPRODUCTION IN PART OR AS A WHOLE WITHOUT THE WRITTEN PERMISSION OF KOLVER S.R.L. IS PROHIBITED.</small>						Nome KDS-PL30-ANG Codice 135030/A
Kolver S.R.L.						



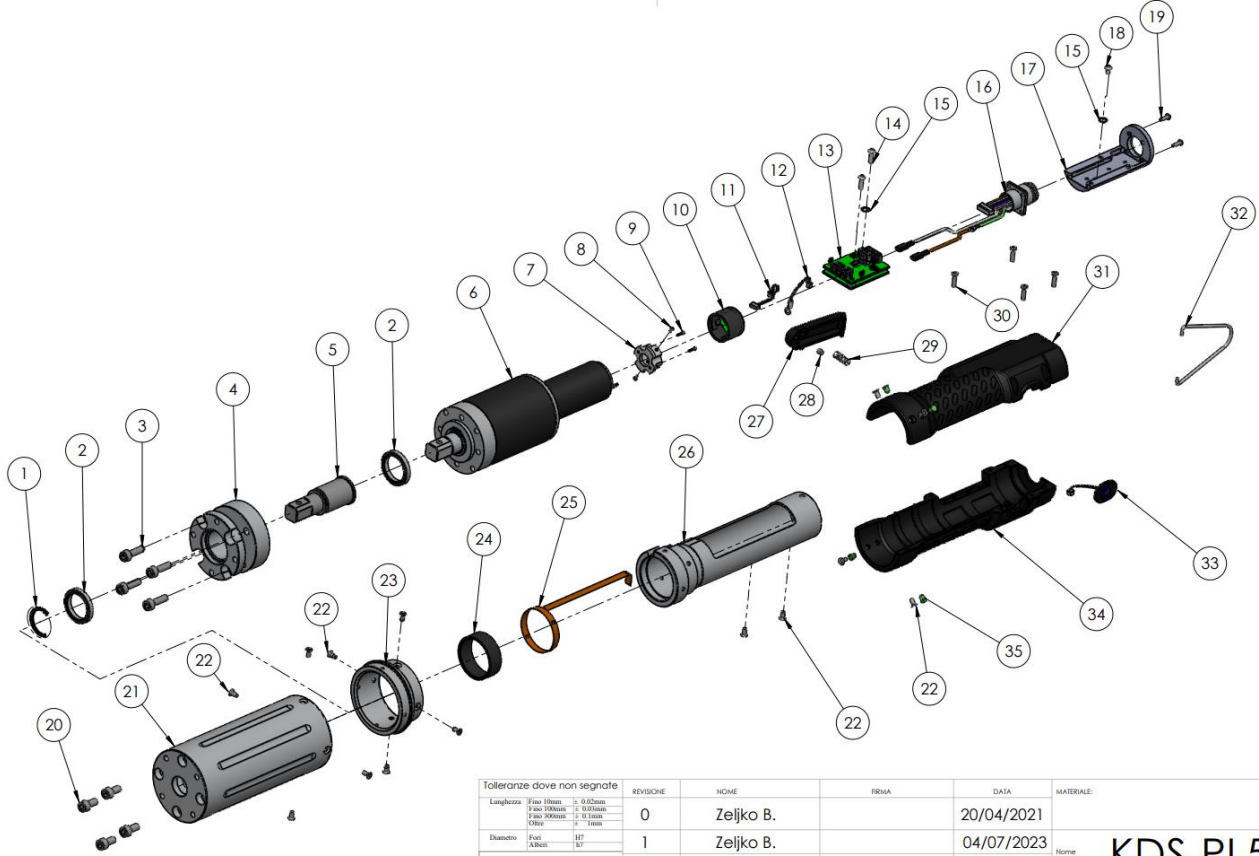
SPARE PARTS KDS-PL30ANG:

Note: ask Kolver for the corresponding documents for 2022 discontinued S/R button style

Pos.	Description	Qty	Code
1	RING 17mm	1	234920
2	TRANSDUCER BEARING	2	234922
3	SCREW 8.8 M4X16	4	240020
4	TRANSDUCER	1	234903
5	JOINT SHAFT	1	234904
6	MOTOR+REDUCTION GEARS	1	231609/20
7	ENCODER CLAMP	1	234530/S
8	SCREW M2X4	2	801004
9	SCREW M1.6X6	2	872473
10	ENCODER	1	231528
11	ENCODER WIRING	1	231536
12	SENSOR	1	231534
13	BOARD	1	852528
14	SCREW M3X10	2	231530
15	WASHER	2	800041
16	MALE CONNECTOR M16 10 PIN	1	201667
17	BOARD SUPPORT	1	231523
18	SCREW M3X5	1	872444
19	SCREW M2,5X8 TX8	2	872478
20	ANG HD20 3/8"	1	010157
21	RING SUPPORT	1	010173
22	SCREW M4X12	1	231507
23	BODY (REDUCTION GEARS)	1	234900
24	SCREW M3X6 TX	10	801002
25	BUSH KDS PL20	1	234924
26	PCB FLEX LED	1	852531/L
27	BODY (BOARD)	1	234902
28	LEVER SPRING	1	221061
29	LEVER	1	234930-LV
30	MAGNET	2	231540
31	SCREW M3X10 TX10	6	231539
32	LEFT ANG HOUSING	1	234930/ANG/SX
33	RIGHT ANG HOUSING	1	234930/ANG/DX
34	REVERSE	1	231535
35	LED GUIDE	1	231553

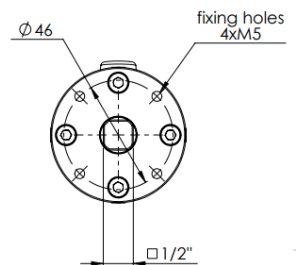
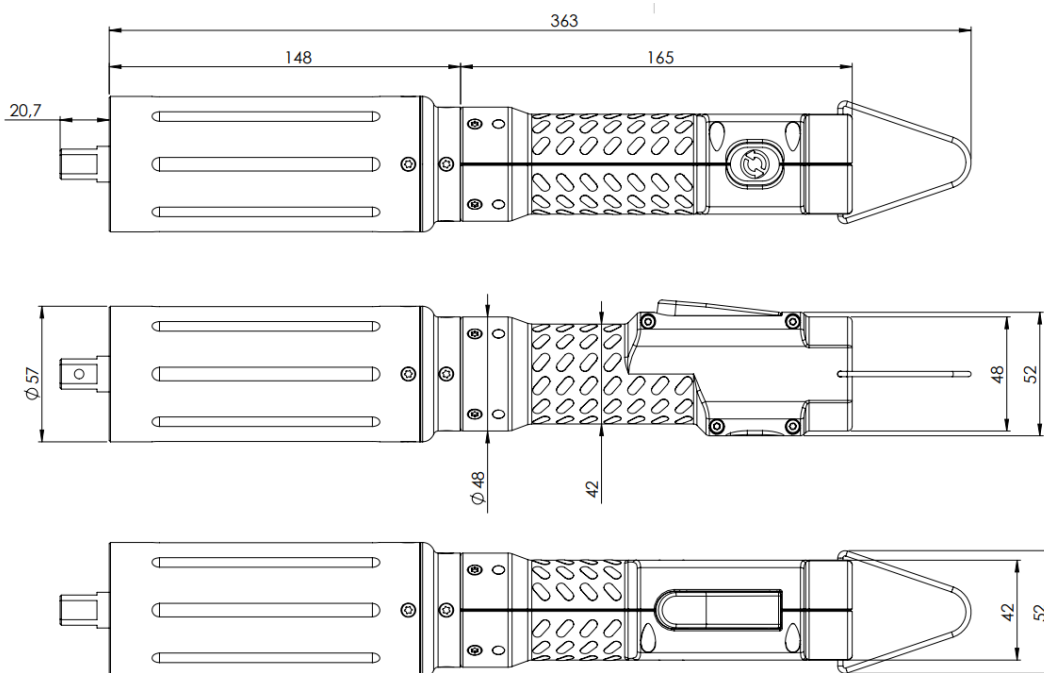
EXPLODED VIEW KDS-PL50:

Note: ask Kolver for the corresponding documents for 2022 discontinued S/R button style



Tolleranze dove non segnate		REVISIONE	NOME	FIRMA	DATA	MATERIALE
Lunghezza	Fino a 30mm ± 0,20mm Fino a 30,1mm ± 0,30mm Fino a 30,2mm ± 0,40mm Oltre ± 0,50mm	0	Zeljko B.		20/04/2021	
Diametro	Fino a 10mm H7 Oltre h8	1	Zeljko B.		04/07/2023	
<small>THE INFORMATION CONTAINED IN THIS DRAWING IS THE SOLE PROPERTY OF KOLVER S.R.L. ANY REPRODUCTION IN PART OR AS A WHOLE WITHOUT THE WRITTEN PERMISSION OF KOLVER S.R.L. IS PROHIBITED.</small>						Nome KDS-PL50 Codice 135050

Kolver S.R.L.

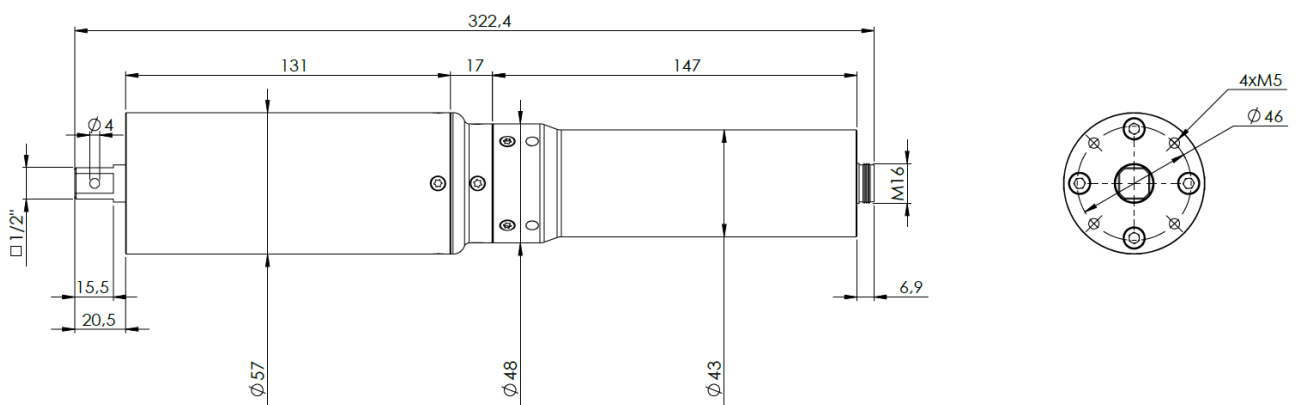
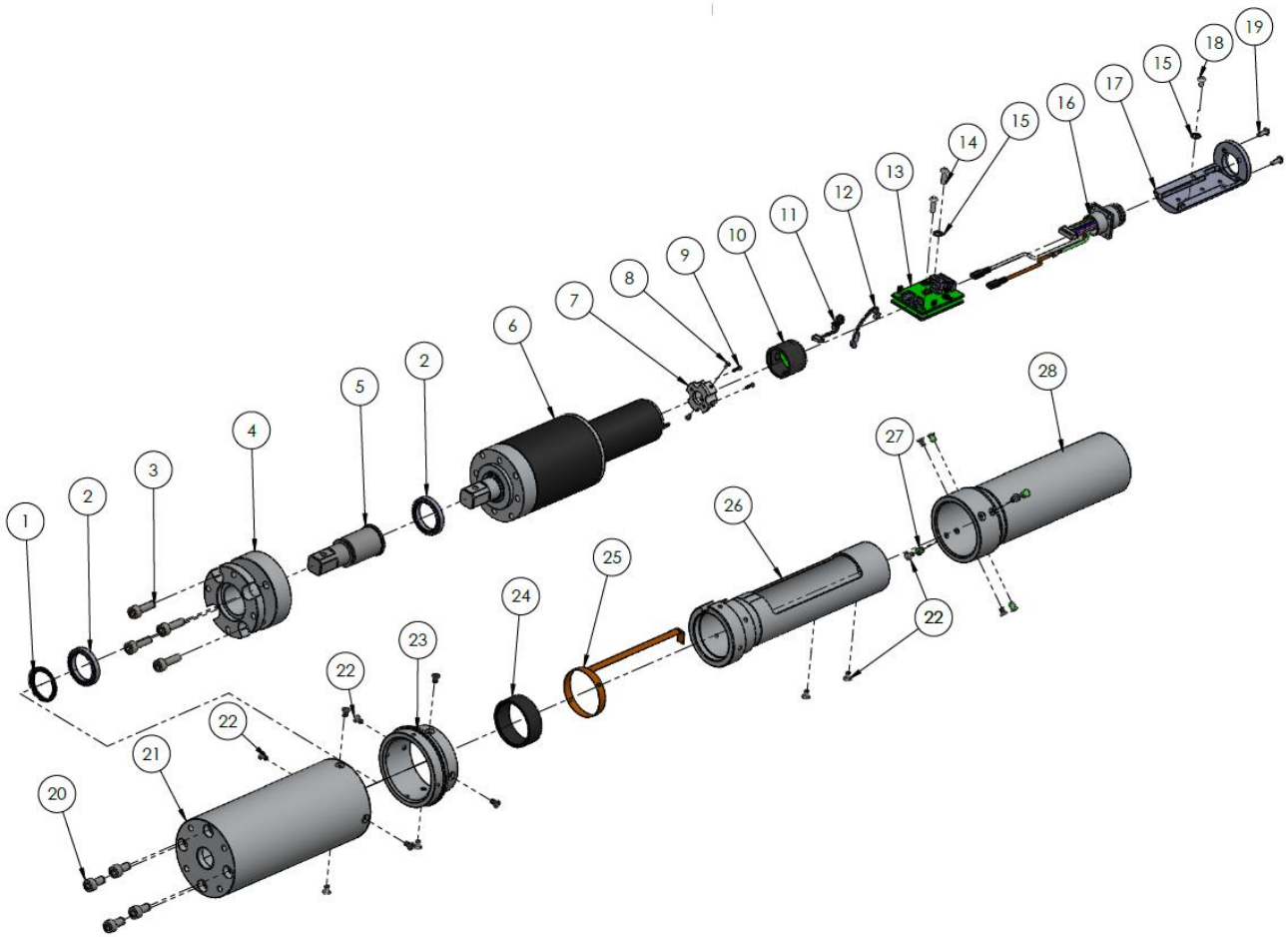


SPARE PARTS KDS-PL50:

Note: ask Kolver for the corresponding documents for 2022 discontinued S/R button style

Pos.	Description	Qty	Code
1	RING 20mm	1	234921
2	TRANSDUCER BEARING	2	231533
3	SCREW M5X16	4	234588
4	TRANSDUCER	1	234907
5	JOINT SHAFT KDS PL50	1	234909
6	MOTOR+REDUCTION GEARS	1	231612/50M
7	ENCODER CLAMP	1	234530/S
8	SCREW M2X4	2	801004
9	SCREW M1.6X6	2	872473
10	ENCODER	1	231528
11	ENCODER WIRING	1	231536
12	SENSOR	1	231534
13	BOARD	1	852528
14	SCREW M3X10	2	231530
15	WASHER	2	800041
16	MALE CONNECTOR M16 10 PIN	1	201667
17	BOARD SUPPORT	1	231523
18	SCREW M3X5	1	872444
19	SCREW M2.5X8 TX8	4	872478
20	SCREW 5X10	4	231503
21	BODY (REDUCTION GEARS)	1	234905
22	SCREW M3X6 TX10	14	801002
23	JOINT	1	234906
24	BUSH	1	234924
25	PCB FLEX LED	1	852531/L
26	BODY (BOARD)	1	234902
27	LEVER	1	234930-LV
28	MAGNET	1	231540
29	LEVER SPRING	1	221061
30	SCREW M3X10 TX10	4	231539
31	LEFT HOUSING	1	234930/SX
32	HOOK	1	200060
33	REVERSE/START	1	231535
34	RIGHT HOUSING	1	234930/DX
35	LED GUIDE	4	231553

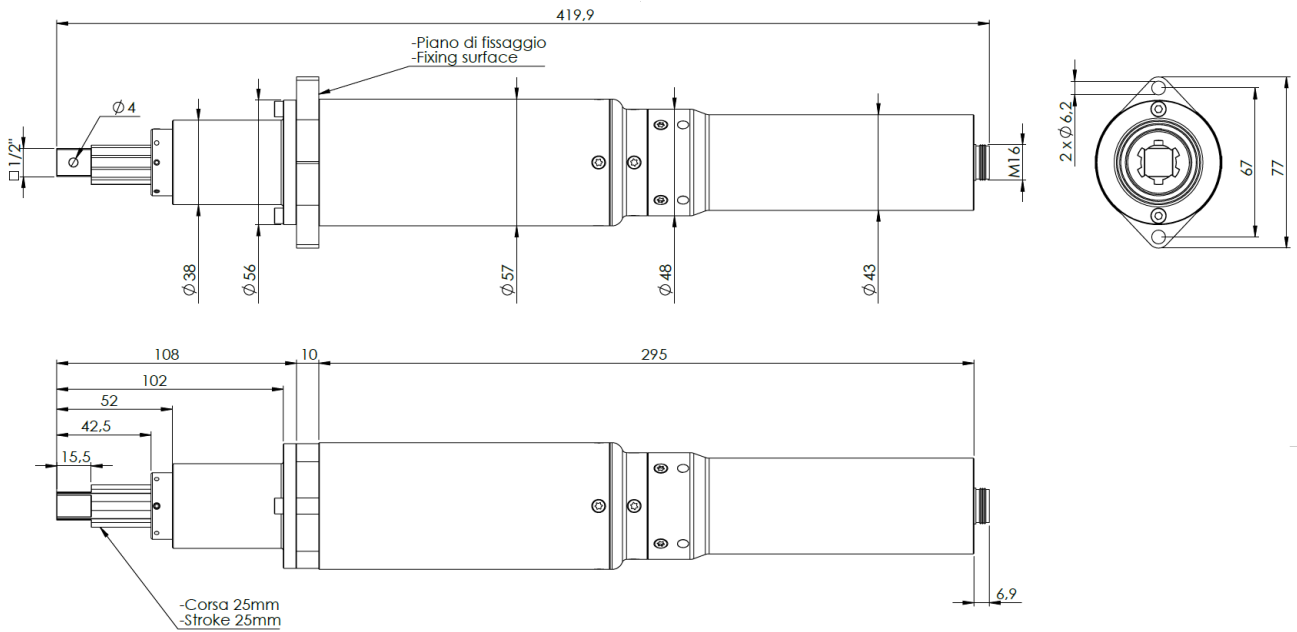
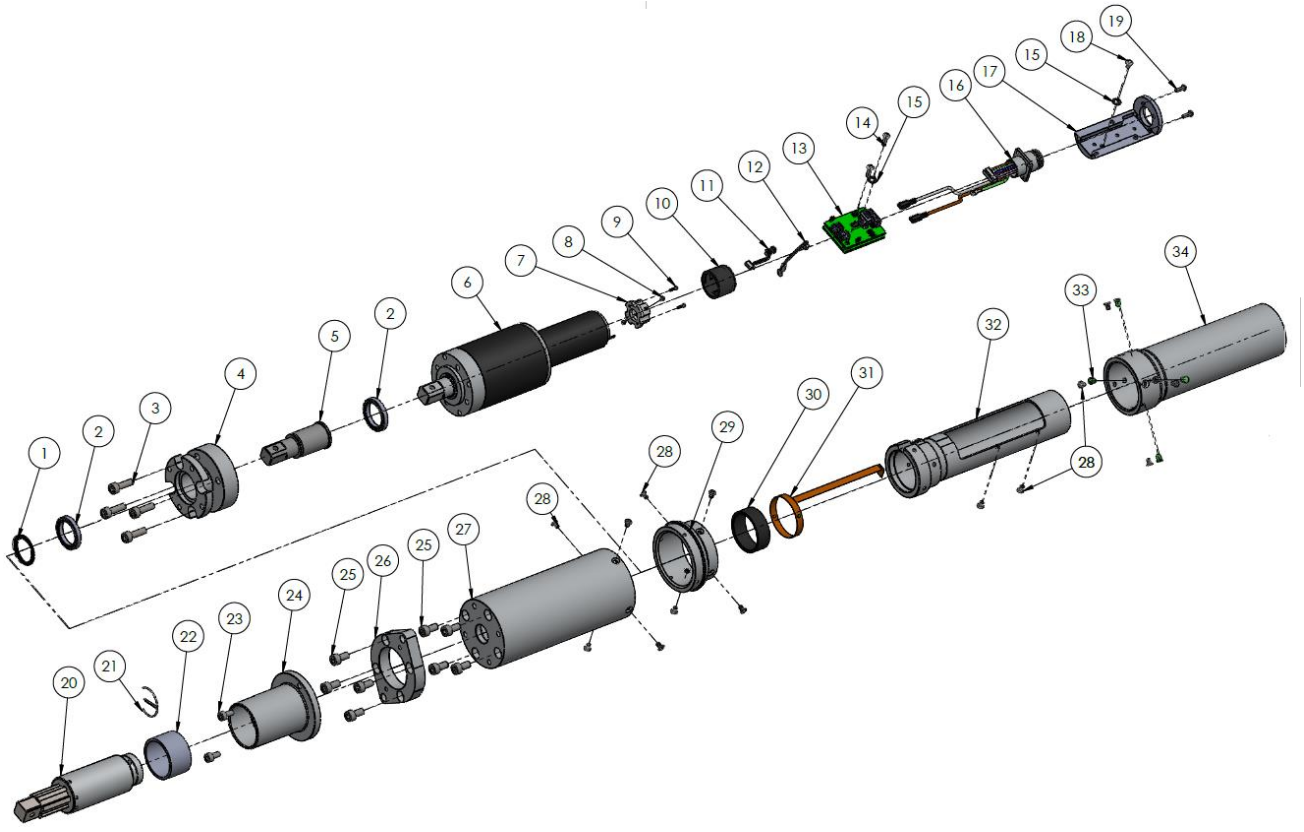
EXPLODED VIEW KDS-PL50CA:



SPARE PARTS KDS-PL50CA:

Pos.	Description	Qty	Code
1	RING	1	234921
2	BEARING	2	231533
3	SCREW M5X16	4	234588
4	TRANSDUCER PL35-PL50	1	234907
5	JOINT SHAFT KDS PL50	1	234909
6	MOTOR+REDUCTION GEARS KDS PL50	1	231612/50M
7	ENCODER CLAMP	1	234530/S
8	SCREW M2X4	2	801004
9	SCREW M1_6X6 ENCODER	2	872473
10	ENCODER	1	231528
11	ENCODER WIRES	1	231536
12	SENSOR	1	231534
13	BOARD	1	852528
14	SCREW M3X10	2	231530
15	WASHER	2	801005
16	MALE CONNECTOR M16 10 PIN	1	201667
17	SUPPORT BOARD	1	231523
18	SCREW M3X5	1	872444
19	SCREW M2,5X8 TX8	2	872478
20	SCREW M5X10	4	231503
21	BODY (REDUCTION GEARS)	1	234905
22	SCREW M3X6 TX10	14	801002
23	JONCTION	1	234906
24	BUSH	1	234924
25	PCB FLEX LED	1	852531/L
26	BOARD SUPPORT BODY	1	234902
27	LED GUIDE	4	231553
28	BODY	1	234910

EXPLODED VIEW KDS-PL50CA/FN:

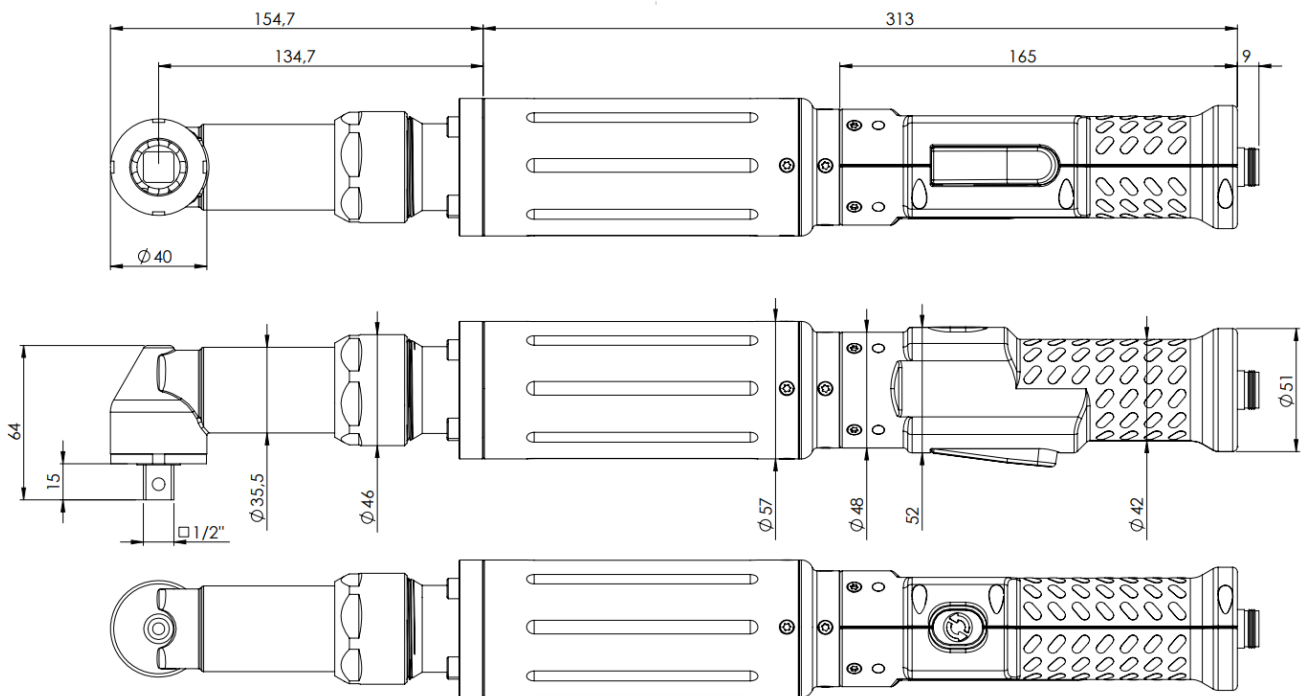
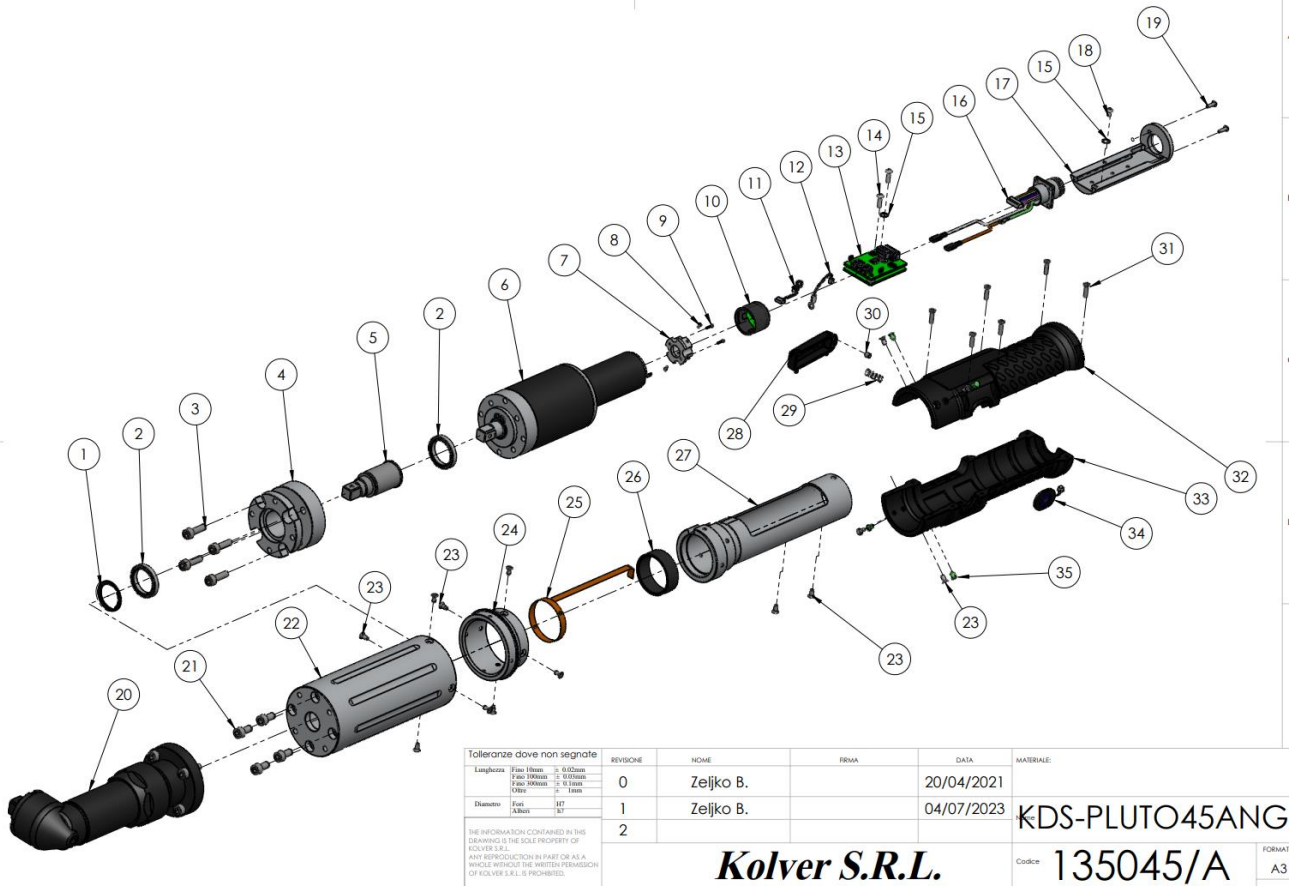


SPARE PARTS KDS-PL50CA/FN:

Pos.	Description	Qty	Code
1	RING	1	234921
2	BEARING	2	231533
3	SCREW M5X16	4	234588
4	TRANSDUCER PL35-PL50	1	234907
5	JOINT SHAFT KDS PL50	1	234909
6	MOTOR+REDUCTION GEARS KDS PL50	1	231612/50M
7	ENCODER CLAMP	1	234530/S
8	SCREW M2X4	2	801004
9	SCREW M1_6X6 ENCODER	2	872473
10	ENCODER	1	231528
11	ENCODER WIRES	1	231536
12	SENSOR	1	231534
13	BOARD	1	852528
14	SCREW M3X10	2	231530
15	WASHER	2	801005
16	MALE CONNECTOR M16 10 PIN	1	201667
17	SUPPORT BOARD	1	231523
18	SCREW M3X5	1	872444
19	SCREW M2,5X8 TX8	2	872478
20	COMPENSATOR 1/2"	1	800319
21	SPINE 1/2"	1	FE-1401C
22	PERMAGLIDE	1	800327
23	SCREW M4X8	2	231505
24	TELESCOPIC GUIDE PLUTO50CA	1	800302/50
25	SCREW VITE M5X10	8	231503
26	CLAMP	1	234510/50
27	BODY (REDUCTION GEARS)	1	234905
28	SCREW M3X6 TX10	14	801002
29	JONCTION	1	234906
30	BUSH	1	234924
31	PCB FLEX LED	1	852531/L
32	BOARD SUPPORT BODY	1	234902
33	LED GUIDE	4	231553
34	BODY	1	234910

EXPLODED VIEW KDS-PL45ANG:

Note: ask Kolver for the corresponding documents for 2022 discontinued S/R button style



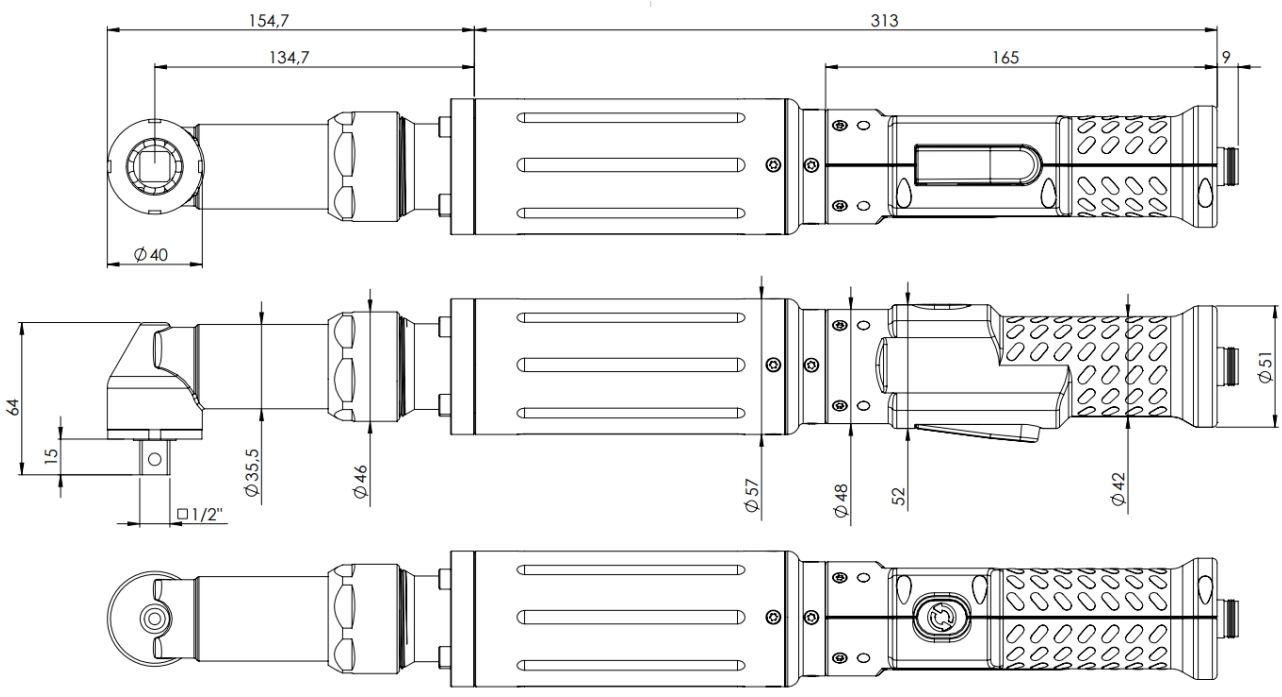
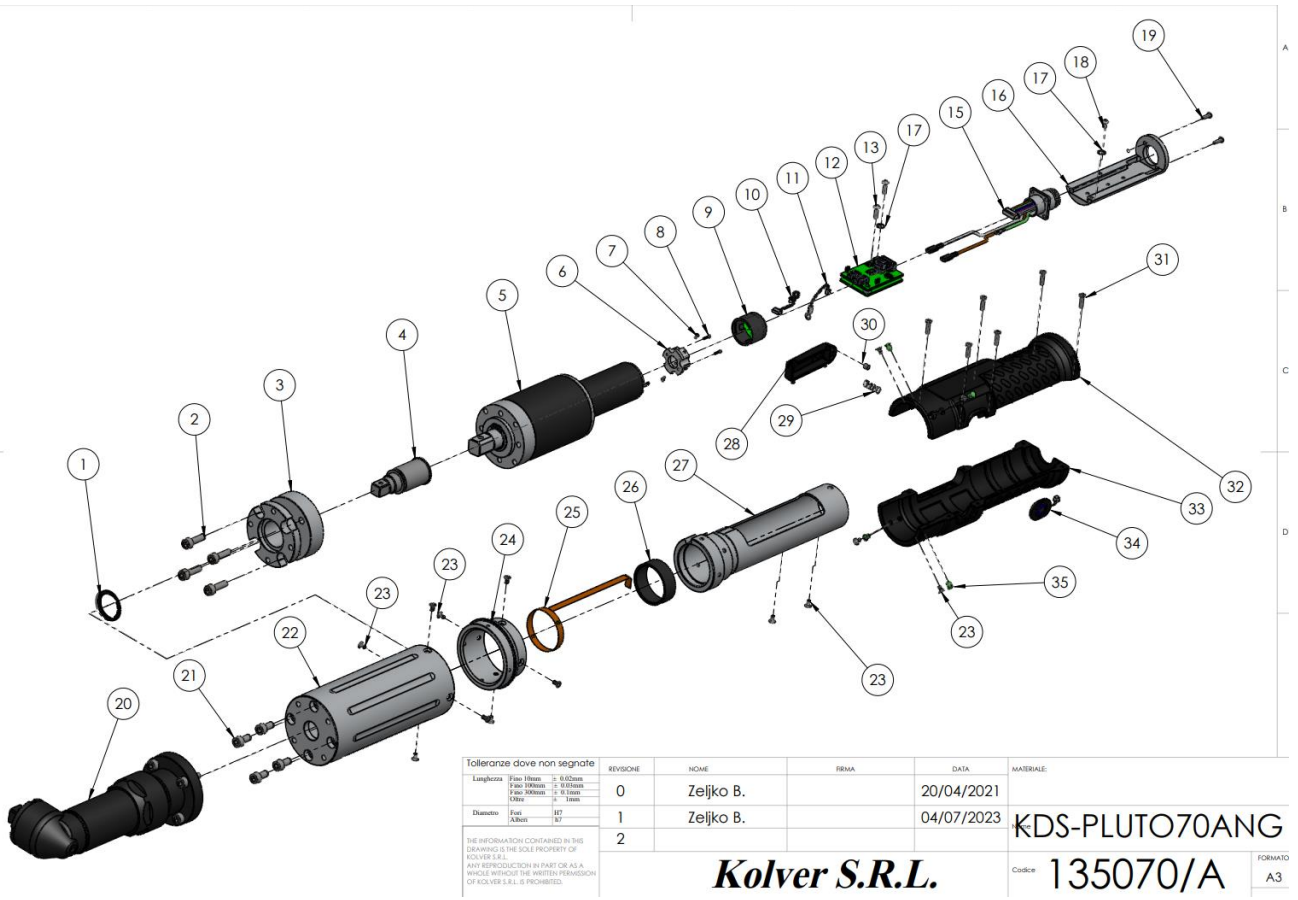
SPARE PARTS KDS-PL45ANG:

Note: ask Kolver for the corresponding documents for 2022 discontinued S/R button style

Pos.	Description	Qty	Code
1	RING 20mm	1	234921
2	TRANSDUCER BEARING	2	231533
3	SCREW M5X16	4	234588
4	TRANSDUCER	1	234907
5	JOINT SHAFT	1	234908
6	MOTOR+REDUCTION GEARS	1	231609/30M
7	ENCODER CLAMP	1	234530/S
8	SCREW M2X4	2	801004
9	SCREW M1.6X6	2	872473
10	ENCODER	1	231528
11	ENCODER WIRING	1	231536
12	SENSOR	1	231534
13	BOARD	1	852528
14	SCREW M3X10	2	231530
15	WASHER	2	800041
16	MALE CONNECTOR M16 10 PIN	1	201667
17	BOARD SUPPORT	1	231523
18	SCREW M3X5	1	872444
19	SCREW M2.5X8 TX8	2	872478
20	ANG HD21	1	010158
21	SUPPORT RING	1	010176
22	SCREW M5X10	4	231503
23	BODY (REDUCTION GEARS)	1	234905
24	SCREW M3X6 TX	14	801002
25	JOINT	1	234906
26	BUSH KDS	1	234924
27	PCB FLEX LED	1	852531/L
28	BODY (BOARD)	1	234902
29	LEVER	1	234930-LV
30	LEVER SPRING	1	221061
31	MAGNET	1	231540
32	SCREW M3X10 TX10	6	231539
33	LEFT ANG HOUSING	1	234930/ANG/SX
34	RIGHT ANG HOUSING	1	234930/ANG/DX
35	REVERSE	1	231535
36	LED GUIDE	4	231553

EXPLODED VIEW KDS-PL70ANG:

Note: ask Kolver for the corresponding documents for 2022 discontinued S/R button style



SPARE PARTS KDS-PL70ANG:

Note: ask Kolver for the corresponding documents for 2022 discontinued S/R button style

Pos.	Description	Qty	Code
1	RING 20mm	1	234921
2	TRANSDUCER BEARING	2	231533
3	SCREW M5X16	4	234588
4	TRANSDUCER	1	234907
5	JOINT SHAFT	1	234908
6	MOTOR+REDUCTION GEARS	1	231609/50M
7	ENCODER CLAMP	1	234530/S
8	SCREW M2X4	2	801004
9	SCREW M1.6X6	2	872473
10	ENCODER	1	231528
11	ENCODER WIRING	1	231536
12	SENSOR	1	231534
13	BOARD	1	852528
14	SCREW M3X10	2	231530
15	WASHER	1	800041
16	MALE CONNECTOR M16 10 PIN	1	201667
17	BOARD SUPPORT	1	231523
18	SCREW M3X5	1	872444
19	SCREW M2.5X8 TX8	2	872478
20	ANG HD22	1	010159
21	SUPPORT RING	1	010176
22	SCREW M5X10	4	231503
23	BODY (REDUCTION GEARS)	1	234905
24	SCREW M3X6 TX	14	801002
25	JOINT	1	234906
26	BUSH KDS	1	234924
27	PCB FLEX LED	1	852531/L
28	BODY (BOARD)	1	234902
29	LEVER	1	234930-LV
30	LEVER SPRING	1	221061
31	MAGNET	1	231540
32	SCREW M3X10 TX10	6	231539
33	LEFT ANG HOUSING	1	234930/ANG/SX
34	RIGHT ANG HOUSING	1	234930/ANG/DX
35	REVERSE	1	231535
36	LED GUIDE	4	231553

GUARANTEE

This KOLVER product is guaranteed against defective workmanship or materials, for a maximum period of 12 months following the date of purchase from KOLVER, provided that its usage is limited to single shift operation throughout that period. If the usage rate exceeds of single shift operation, the guarantee period shall be reduced on a prorata basis. If, during the guarantee period, the product appears to be defective in workmanship or materials, it should be returned to KOLVER or its distributors, transport prepaid, together with a short description of the alleged defect. KOLVER shall, at its sole discretion, arrange to repair or replace free of charge such items.

This guarantee does not cover repair or replacement required as a consequence of products which have been abused, misused or modified, or which have been repaired using not original KOLVER spare parts or by not authorized service personnel.

KOLVER accepts no claim for labour or other expenditure made upon defective products. Any direct, incidental or consequential damages whatsoever arising from any defect are expressly excluded.

This guarantee replaces all other guarantees, or conditions, expressed or implied, regarding the quality, the marketability or the fitness for any particular purpose.

No one, whether an agent, servant or employee of KOLVER, is authorized to add to or modify the terms of this limited guarantee in any way. However it's possible to extend the warranty with an extra cost. Further information at kolver@kolver.it.